

Gas Supply

AVK offers a wide range of fixed and height adjustable surface boxes in various dimensions, which can be used in many fields of application. Apart from economic benefits, AVK synthetic surface boxes are lightweight, user-friendly, easy to open, noiseless and maintenance free. Most of AVK surface boxes are designed and approved according to DIN/EN standards, but can also be designed according to local standards or customer specifications. The carbon footprint (CO₂ emission) of synthetic surface boxes, measured from resource to end of life, is significantly lower compared to surface boxes made of traditional materials, making AVK surface boxes ecologically sound.

Use:

Fixed height surface box with cast iron lid, for distribution valves and district heating, standard lid inscription: GAS

Features:

- Lightweight, user-friendly, silent and maintenance free
- 100% recyclable and significantly less use of resources compared to traditional materials
- Manufactured out of high grade recycled materials
- Ribs in housing ensure optimal fixation in road foundation
- Selected materials for housing and lid ensure easy opening at all times
- Heat resistant to max. 250 °C
- Suitable for low-temperature applications
- C250 load bearing capacity on complete surface*

Design/Test:

- Designed according to DIN 3581 (-3)
- Tested according to DIN 3580-2

Optional

- Various colours and lid inscriptions possible

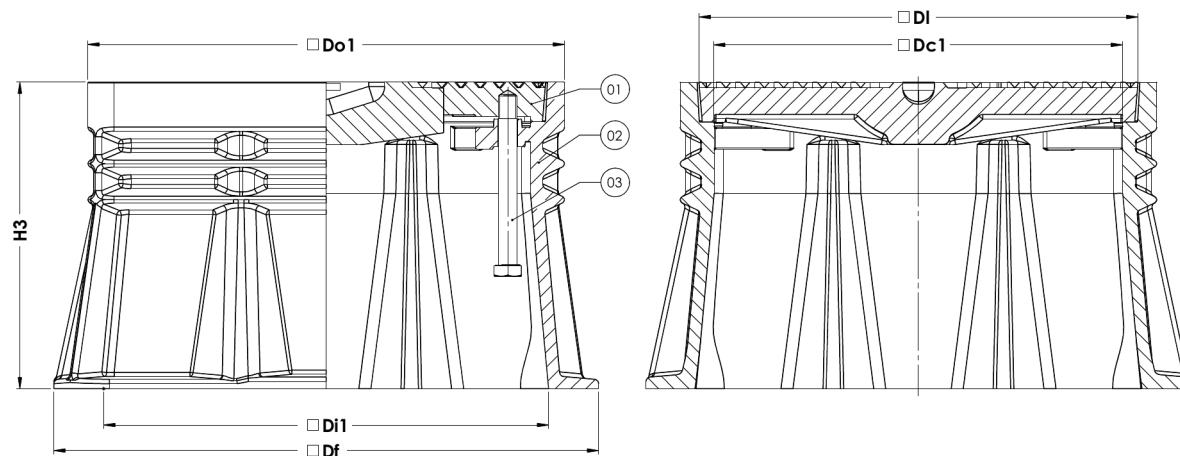
*Results of the load-bearing capacity test on the complete surface, following the internally used load application method, and declaring the load-bearing capacity according to the corresponding class as per EN 124-1:2015, clause 7.2, table 4



SYNTHETIC SURFACE BOX TYPE 3583

80/36-000

For distribution valves and district heating, H-3583 HD-GG, Classic



Component list:

1. Lid	Cast iron GJL-200 (GG-20)	3. Bolt, hexagon head	Stainless steel A2-70
2. Housing	PA+		

Components may be substituted with equivalent or higher class materials without prior notification.

Reference nos. and dimensions:

Reference no.	Do1	DI	Dc1	Di1	Df	H3	Weight Box / kg	Weight Lid / kg	Theoretical weight/kg
80-36-0000004	420	390	360	392	480	270	6.7	30.7	37.4