

Water Supply

AVK offers a wide range of fixed and height adjustable surface boxes in various dimensions, which can be used in many fields of application. Apart from economic benefits, AVK synthetic surface boxes are lightweight, user-friendly, easy to open, noiseless and maintenance free. Most of AVK surface boxes are designed and approved according to DIN/EN standards, but can also be designed according to local standards or customer specifications. The carbon footprint (CO₂ emission) of synthetic surface boxes, measured from resource to end of life, is significantly lower compared to surface boxes made of traditional materials, making AVK surface boxes ecologically sound.

Use:

Fixed height surface box with cast iron lid and square top, for distribution valves, design derived from DIN 4056, standard lid inscription: AVK W

Features:

- Lightweight, user-friendly, silent and maintenance free
- 100% recyclable and significantly less use of resources compared to traditional materials
- Manufactured out of high grade recycled materials
- Ribs in housing ensure optimal fixation in road foundation
- Selected materials for housing and lid ensure easy opening at all times
- Heat resistant to max. 250 °C
- Suitable for low-temperature applications
- Locking clip around the bolt ensuring lid will stay in its place
- Due to square top ideal solution for pavement installation
- B125 load bearing capacity on complete surface*

Design:

- Design derived from DIN 4056

Optional

- Various colours and lid inscriptions possible
- Available as lockable version making the surface box tamperproof

*Results of the load-bearing capacity test on the complete surface, following the internally used load application method, and declaring the load-bearing capacity according to the corresponding class as per EN 124-1:2015, clause 7.2, table 4

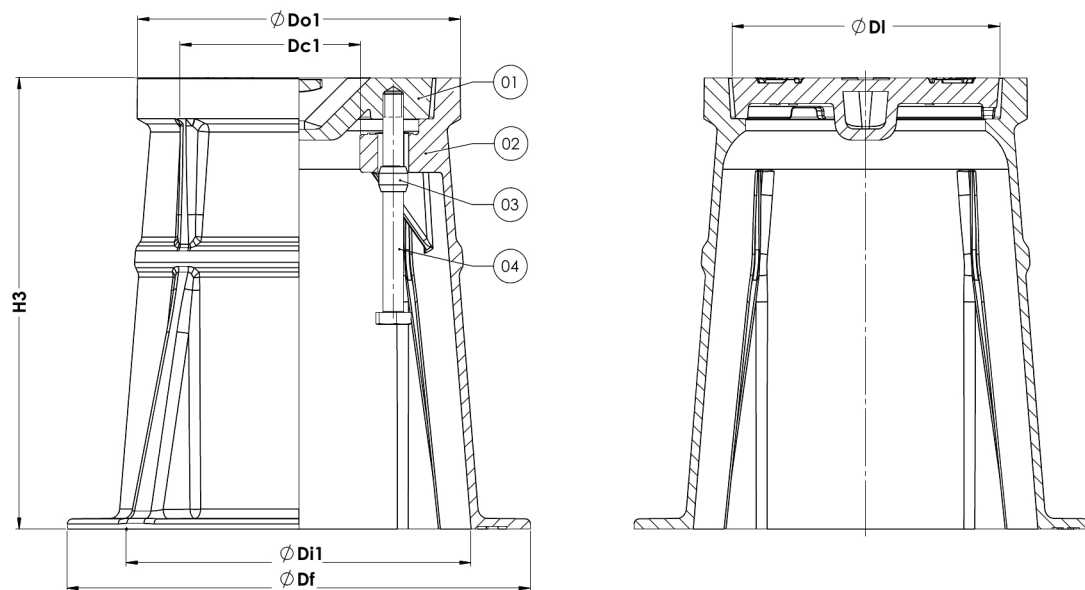
Accessories:

Support tile UST
Top frame gate valve



SYNTHETIC SURFACE BOX TYPE 4056
 For distribution valves, M-4056P MD-GG, Futura

80/31-211



Component list:

1. Lid	Cast iron GJL-200 (GG-20)	3. Locking clip	PP
2. Housing	PA+	4. Bolt, hexagon head	Stainless steel A2-70

Components may be substituted with equivalent or higher class materials without prior notification.

Reference nos. and dimensions:

Reference no.	Do1	DI	Dc1	Di1	Df	H3	Weight Box / kg	Weight Lid / kg	Theoretical weight/kg
	mm	mm	mm	mm	mm	mm			
80-31-2110001						265			4
80-31-2110002	190	160	141 / 106	203	272	265	1.6	2.4	4