



AVK SURFACE BOX H-3581V HD-GG

80/34
100

Height adjustable
Surface box for distribution valves
Standard lid inscription: GAS with symbol "-" / "+" / "□"

Types

- H-3581V HD-GG
 - Square cast iron lid
 - Square top surface box

Features

- Lightweight, maintenance free and noiseless design
- 100% recyclable and less use of energy resources compared to traditional materials
- Ribs in housing ensure optimal fixation in road foundation
- Selected materials for housing and lid ensure easy opening at all times
- Various colours and lid inscriptions possible
- Heat resistant to max. 250 °C
- Large height range and flexible positioning of top part
- Inscription in lid to be positioned easily
- No costly corrections after installation

Standards

- Design according to DIN3581
- DVGW VP310-2, EN124 test method
- DVGW approval, certificate DG-4531BP0135

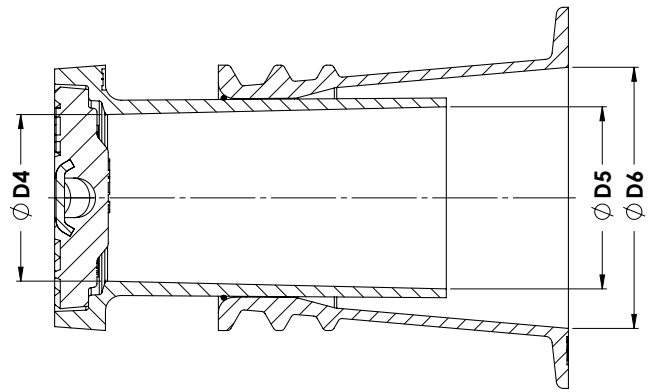
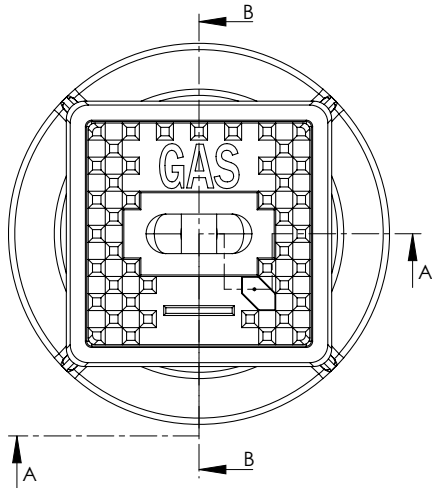
Accessories

- Support tile I
- Torque Adaptor I & II-A

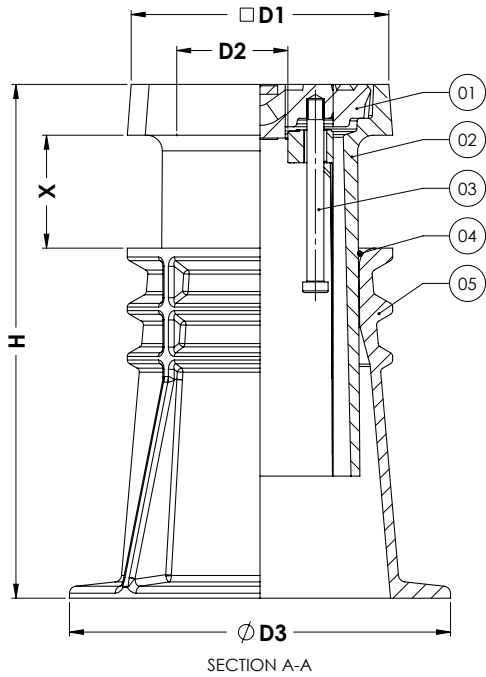


12.4 kg
CO2 eq.

Expect... **AVR**



SECTION B-B



SECTION A-A

Component list

1. Lid	EN-GJL-250
2. Housing top part	PA+
3. Bolt M12x130 hexagon socket head	A2-70
4. O-ring	EPDM
5. Housing bottom part	PA+

Reference nos. and nominal dimensions

AVK ref. nos.	D1 mm	D2 mm	D3 mm	D4 mm	D5 mm	D6 mm	H mm	X mm
80-34-100XXXX	182	107	270	118	129	185	365-485	80-200
	Weight box in kg	Weight lid in kg	Total weight in kg					
	3.2	4.1	7.3					