



AVK SURFACE BOX H-4059VF HD-GG

80/33
300

Height adjustable with Fugenring
Surface box for service connection valves
Standard lid inscription: GAS with symbol "-" / "+" / "□"

Types

- H-4059VF HD-GG
 - Square cast iron lid
 - Square top surface box

Features

- Lightweight, maintenance free and noiseless design
- 100% recyclable and less use of energy resources compared to traditional materials
- Ribs in housing ensure optimal fixation in road foundation
- Selected materials for housing and lid ensure easy opening at all times
- Various colours and lid inscriptions possible
- Heat resistant to max. 240 °C
- Large height range and flexible positioning of top part
- Inscription in lid to be positioned easily
- No costly corrections after installation
- Reinforced rim ensures better support of top part
- Durable joint between tarmac and surface box
- Installation according to ZTV Fug-StB 15 guidelines

Standards

- Design derived from DIN4059
- DVGW VP310-2, EN124 test method

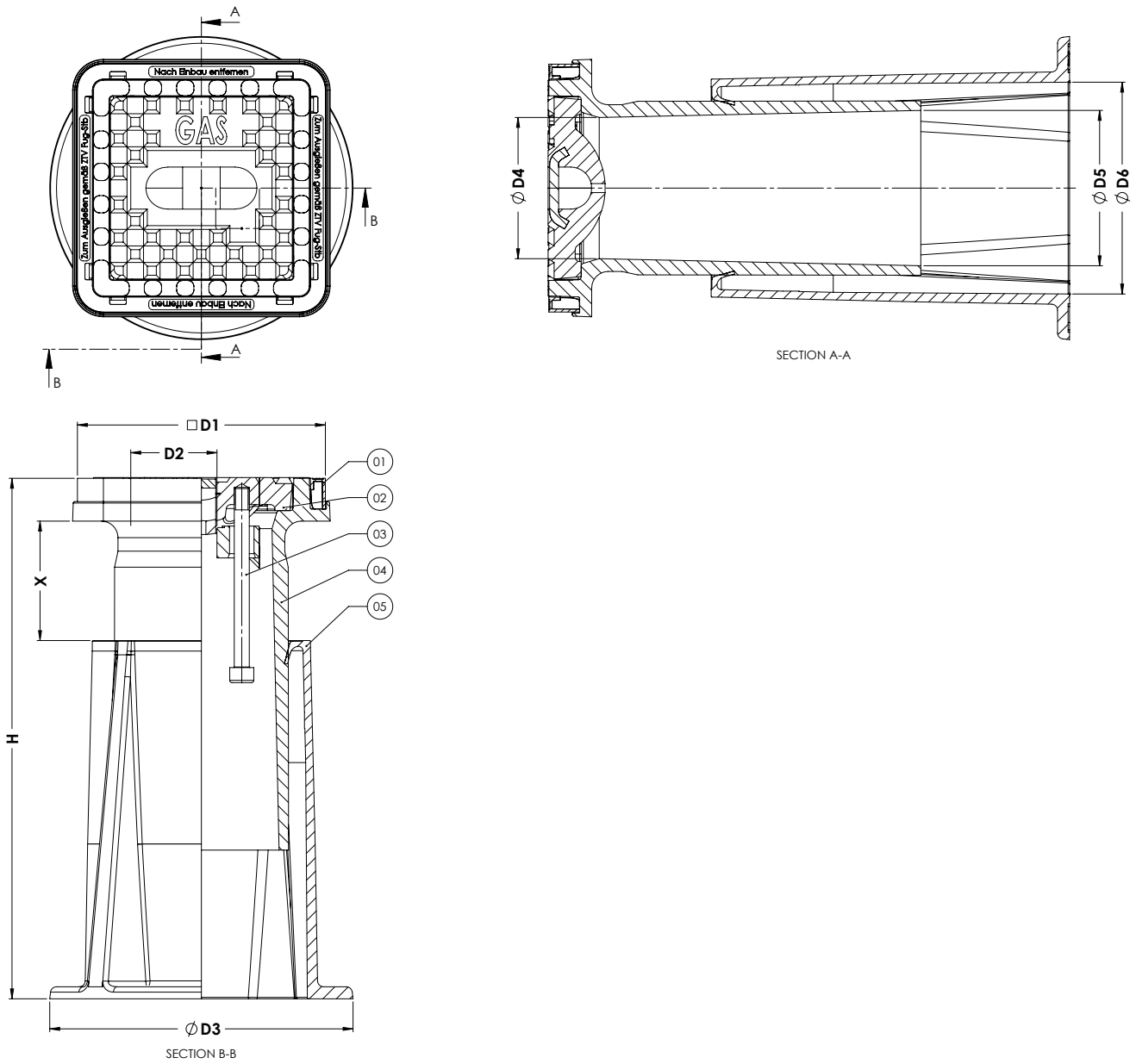
Accessories

- Support tile I



7.3 kg
CO2 eq.

Expect... **AVR**



Component list

1. Fugenring	PA
2. Lid	EN-GJL-200
3. Bolt M12x130 hexagon socket head	A2-70
4. Housing top part	PA+
5. Housing bottom part	PA+

Reference nos. and nominal dimensions

AVK ref. nos.	D1 mm	D2 mm	D3 mm	D4 mm	D5 mm	D6 mm	H mm	X mm
80-33-300XXXX	165	68	202	94	103	141	347-447	80-180
	Weight box in kg	Weight lid in kg	Total weight in kg					
	1.8	2.0	3.7					