



AVK SURFACE BOX M-4056P MD-KU

80/31
214

Fixed height
Special model for pavement
Surface box for gate valves
Standard lid inscription: AVK W

Types

- M-4056P MD-KU
 - Round synthetic lid
 - Square top surface box

Features

- Lightweight, maintenance free and noiseless design
- 100% recyclable and less use of energy resources compared to traditional materials
- Ribs in housing ensure optimal fixation in road foundation
- Selected materials for housing and lid ensure easy opening at all times
- Various colours and lid inscriptions possible
- Heat resistant to max. 250 °C
- Available as lockable version making the surface box tamperproof
- Available with magnet for easy detectability
- Locking clip around the bolt ensuring lid will stay in its place
- Discourages thieves; no value in stealing
- Synthetic lid enables signal transmission
- Due to square top ideal solution for pavement installation

Standards

- Design derived from DIN4056
- DVGW VP310-2, EN124 test method

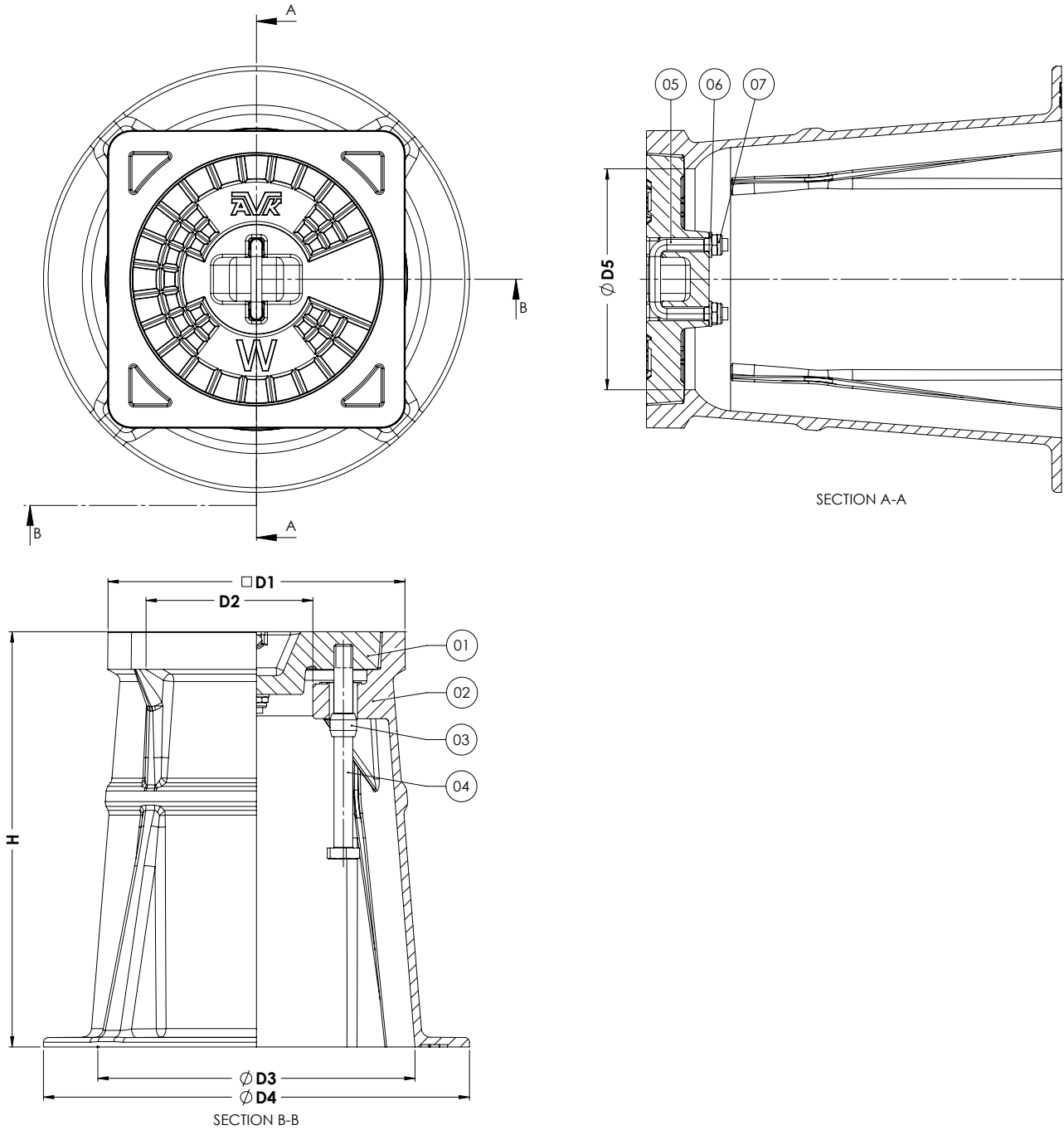
Accessories

- Support tile I
- Torque Adaptor I & II-A
- Top frame for gate valve



5.8 kg
CO2 eq.

Expect... **AVR**



Component list

1. Lid	PP 40%GF
2. Housing	PA+
3. Locking clip	PP
4. Notched bolt M12x130 hexagon head	A2-70
5. Crossbar	A2
6. Washer M8	A2
7. Prevailing torque nut M8	A2

Reference nos. and nominal dimensions

AVK ref. nos.	D1 mm	D2 mm	D3 mm	D4 mm	D5 mm	H mm	Weight box in kg	Weight lid in kg	Total weight in kg
80-31-214XXXX	190	106	203	272	141	265	1.6	0.6	2.2