



AVK SURFACE BOX H-4055-2VB HD-GG

80/29
480



Height adjustable
Surface box for extra large underground hydrants
Standard lid inscription: HYDRANT



Types

- H-4055-2VB HD-GG
 - Oval cast iron lid
 - Oval top surface box



Features

- Lightweight, maintenance free and noiseless design
- 100% recyclable and less use of energy resources compared to traditional materials
- Ribs in housing ensure optimal fixation in road foundation
- Selected materials for housing and lid ensure easy opening at all times
- Various colours and lid inscriptions possible
- Heat resistant to max. 240 °C
- Large height range and flexible positioning of top part
- No costly corrections after installation
- Reinforced rim ensures better support of top part
- Strong rim makes product suitable for heavy duty application areas
- Extra large clear opening and inner space for operating extra large underground hydrants
- Largest type 4055 surface box on the market

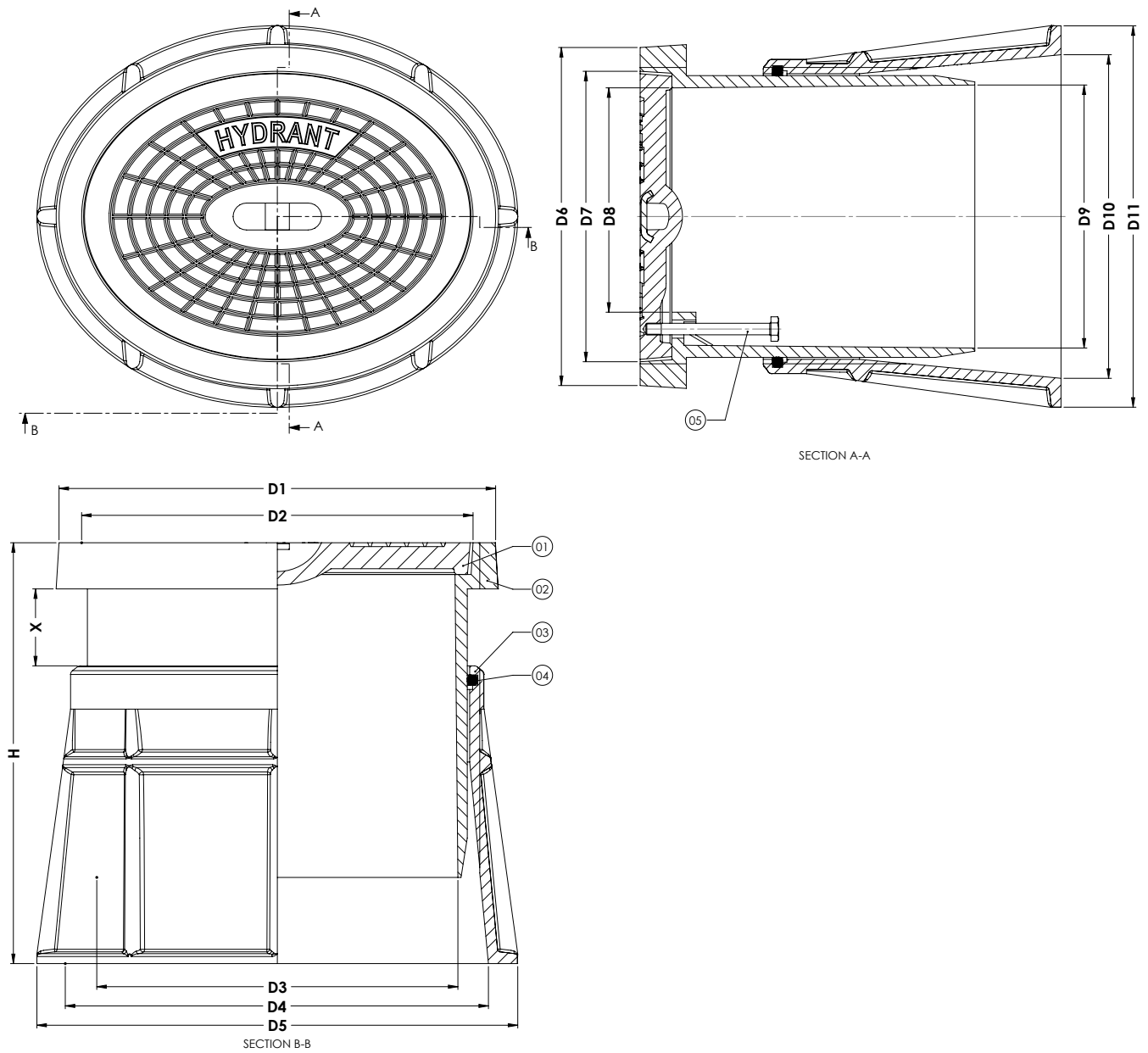
Standards

- DVGW VP310-2, EN124 test method



56.3 kg
CO2 eq.

Expect... **AVR**



Component list

1. Lid	EN-GJL-200
2. Housing top part	PA-GF
3. Housing bottom part	PA-GF
4. Elastic band	Polyester wrapped rubber
5. Bolt M12x130 hexagon head	A2-70

Reference nos. and nominal dimensions

AVK ref. nos.	D1 mm	D2 mm	D3 mm	D4 mm	D5 mm	D6 mm	D7 mm	D8 mm	D9 mm
80-29-4800XXX	455	405	376	440	500	350	300	233	274
	D10 mm	D11 mm	H mm	X mm	Weight box in kg	Weight lid in kg	Total weight in kg		
	330	393	437-577	80-220	14.3	14.3	28.6		