



AVK WATER METER BOX KSA

8055



AVK water meter box for service connection
For ½", ¾" and 1" water meters
RAL9010 (colour of box and cover)



Types

- Water meter box with billet holder
- Water meter box without billet holder

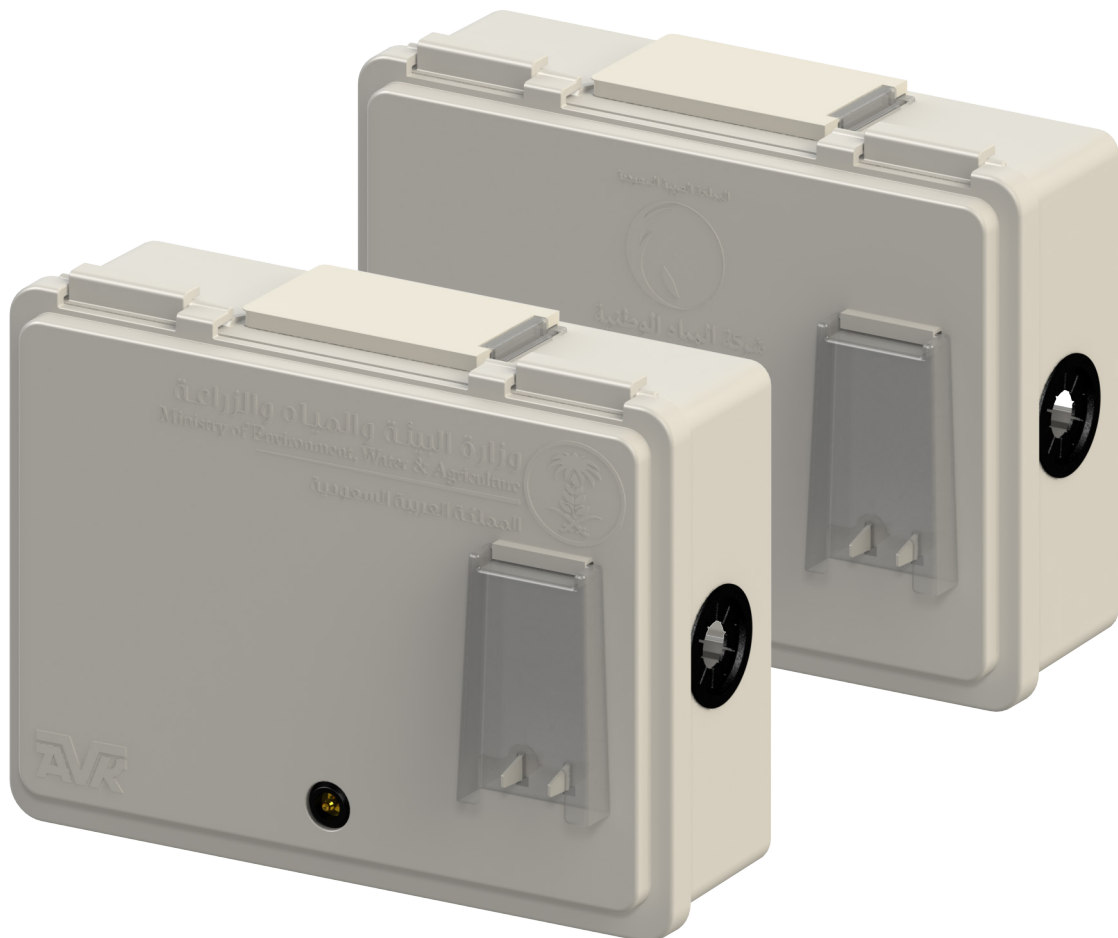


Features

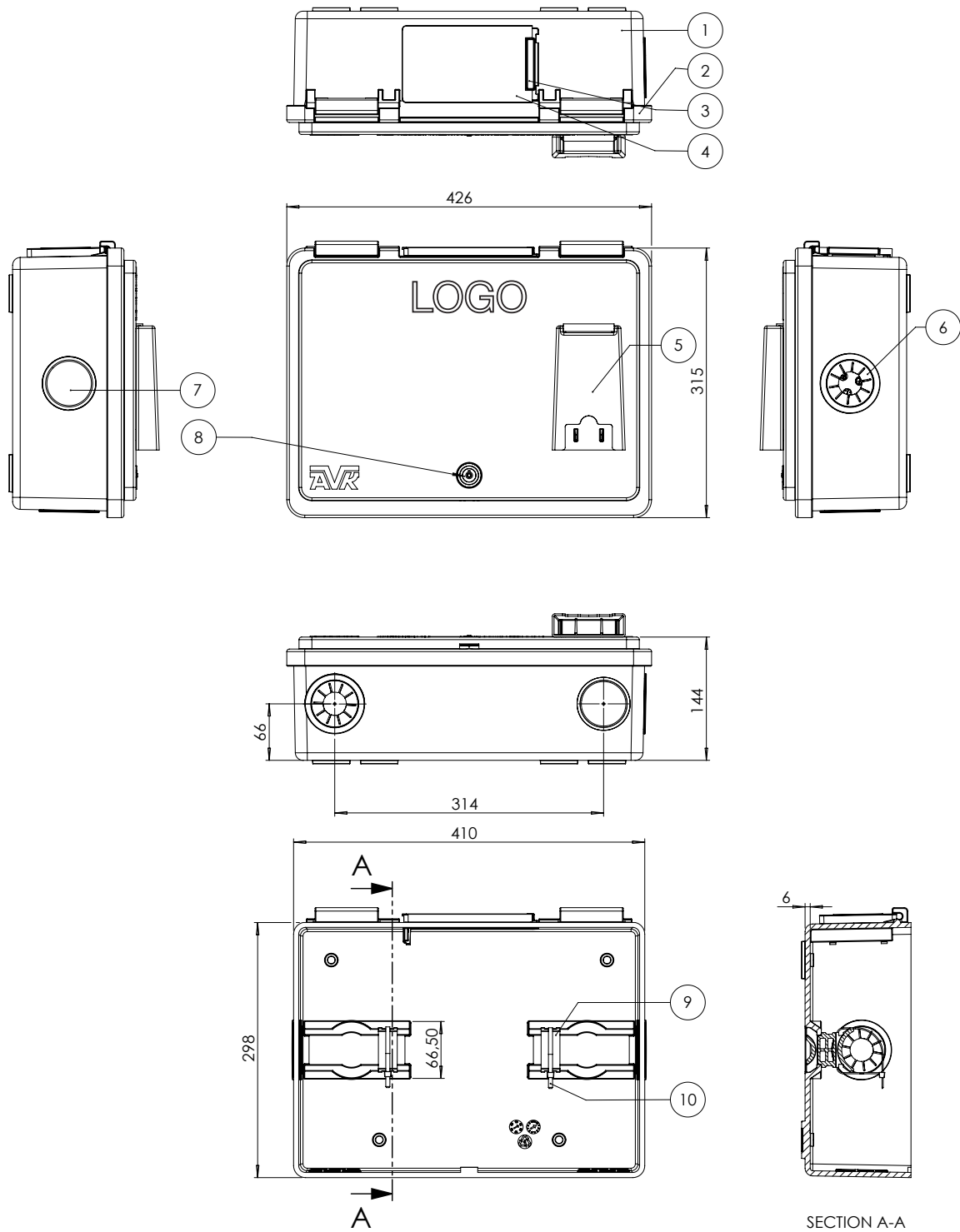
- Suitable for harsh environment; dust and weather proof (high surrounding temperatures)
- UV-resistant
- High impact resistance
- Lockable design with universal key
- Customer logo optional
- Various mounting orientations
- Easy maintenance due to reusable cable ties
- Universal plug to accomodate multiple pipe sizes
- Reading glass cover ensures clean and transparent glass at all times
- High quality housing without flashes, burrs or sharp edges
- Flexible positioning of brackets for various water meter sizes

Approvals

Manufacturer certified according to ISO9001 and ISO14001



Expect... **AVR**



Component list

1. Housing	PP
2. Cover	PP
3. Reading glass	PC
4. Reading glass cover	PP
5. Billet holder*	PC
6. Rubber plug	TPE
7. Plug	PP
8. Lock	Various metals
9. Universal bracket	PP Copolymer
10. Reusable cable tie	PA

*Optional