



## AVK SURFACE BOX H-3581VB HD-GG

80/34  
400

Height adjustable with reinforced rim  
Surface box for distribution valves  
Standard lid inscription: GAS with symbol “-” / “+” or “□”

### Types

- H-3581VB HD-GG
  - Square cast iron lid
  - Square top surface box

### Features

- Lightweight, maintenance free and noiseless design
- 100% recyclable and less use of energy resources compared to traditional materials
- Ribs in housing ensure optimal fixation in road foundation
- Selected materials for housing and lid ensure easy opening at all times
- Various colours and lid inscriptions possible
- Available as lockable version making the surface box tamperproof
- Heat resistant to max. 250 °C
- Large height range and flexible positioning of top part
- Inscription in lid to be positioned easily
- No costly corrections after installation
- Design registered by AVK
- Reinforced rim ensures better support of top part
- Strong rim makes product suitable for heavy duty application areas

### Standards

- Design derived from DIN3581
- DVGW VP310-2, EN124 test method

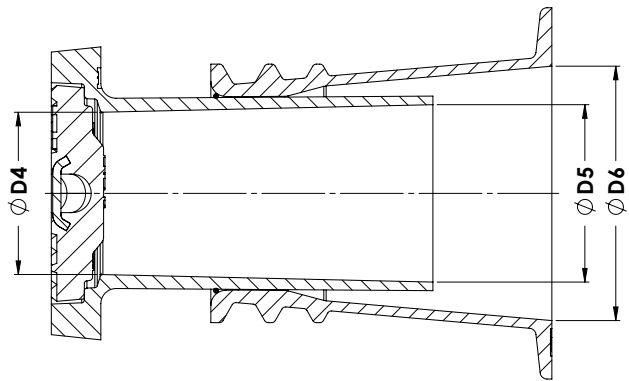
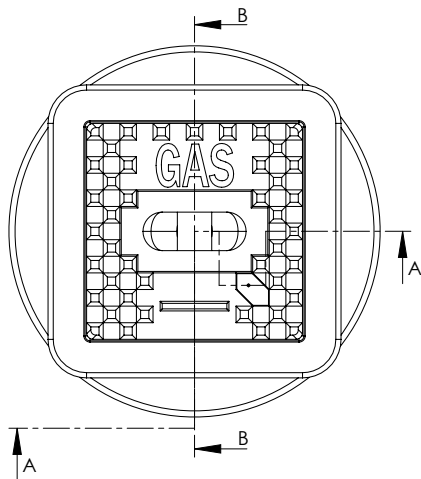
### Accessories

- Support tile I
- Torque Adaptor I & II-A

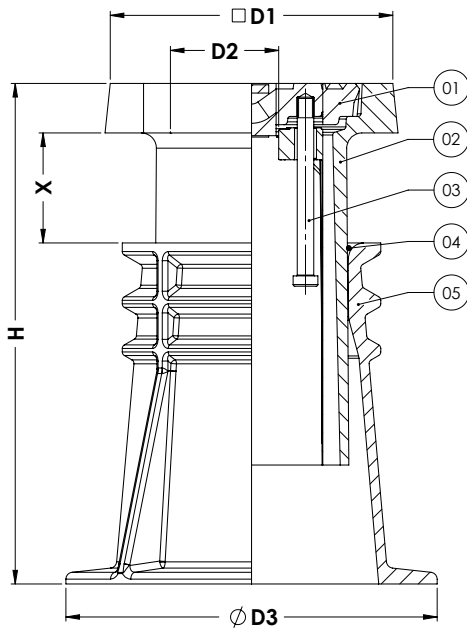


13.3 kg  
CO2 eq.

Expect... **AVR**



SECTION B-B



SECTION A-A

**Component list**

1. Lid	EN-GJL-250
2. Housing top part	PA+
3. Bolt M12x130 hexagon socket head	A2-70
4. O-ring	EPDM
5. Housing bottom part	PA+

**Reference nos. and nominal dimensions**

AVK ref. nos.	D1 mm	D2 mm	D3 mm	D4 mm	D5 mm	D6 mm	H mm	X mm
80-34-400XXXX	206	107	270	118	129	185	365-485	80-200
	Weight box in kg	Weight lid in kg	Total weight in kg					
	3.7	4.1	7.8					