



## AVK SURFACE BOX H-3581VF HD-GG

80/34  
300

Height adjustable with Fugenring  
Surface box for distribution valves  
Standard lid inscription: GAS with symbol "-" / "+" / "□"

### Types

- H-3581VF HD-GG
  - Square cast iron lid
  - Square top surface box

### Features

- Lightweight, maintenance free and noiseless design
- 100% recyclable and less use of energy resources compared to traditional materials
- Ribs in housing ensure optimal fixation in road foundation
- Selected materials for housing and lid ensure easy opening at all times
- Various colours and lid inscriptions possible
- Available as lockable version making the surface box tamperproof
- Heat resistant to max. 240 °C
- Large height range and flexible positioning of top part
- Inscription in lid to be positioned easily
- No costly corrections after installation
- Reinforced rim ensures better support of top part
- Durable joint between tarmac and surface box
- Installation according to ZTV Fug-StB 15 guidelines

### Standards

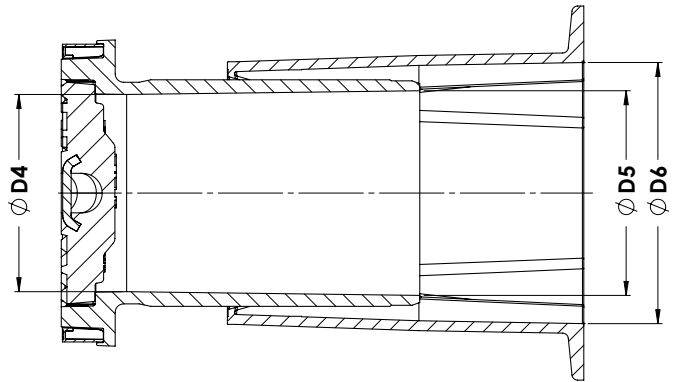
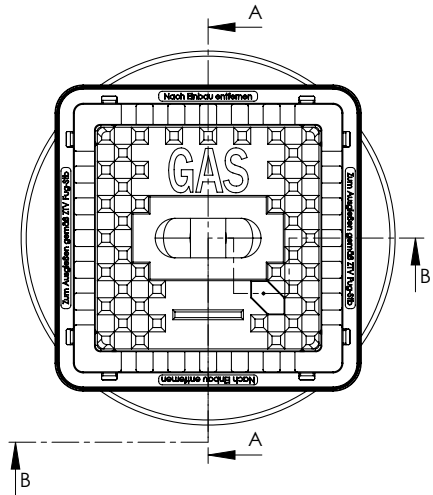
- Design according to DIN3581
- DVGW VP310-2, EN124 test method

### Accessories

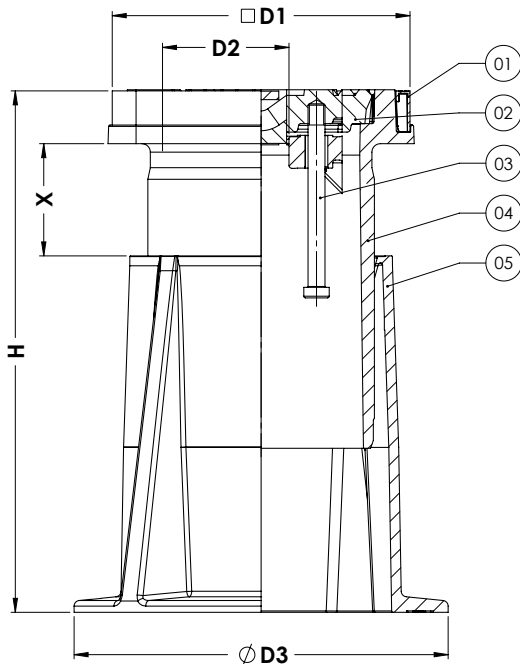
- Support tile I
- Torque Adaptor I & II-A



Expect... **AVR**



SECTION A-A



SECTION B-B

**Component list**

1. Fugenring	PA
2. Lid	EN-GJL-200
3. Bolt M12x130 hexagon socket head	A2-70
4. Housing top part	PA+
5. Housing bottom part	PA+

**Reference nos. and nominal dimensions**

AVK ref. nos.	D1 mm	D2 mm	D3 mm	D4 mm	D5 mm	D6 mm	H mm	X mm
80-34-300XXXX	211	106	265	140	145	185	365-485	80-200
	Weight box in kg	Weight lid in kg	Total weight in kg					
	3.4	4.1	7.5					