



AVK SURFACE BOX H-3581 HD-GG

80/34
000

Fixed height
Surface box for distribution valves
Standard lid inscription: GAS with symbol "-" / "+" / "□"

Types

- H-3581 HD-GG
 - Square cast iron lid
 - Square top surface box

Features

- Lightweight, maintenance free and noiseless design
- 100% recyclable and less use of energy resources compared to traditional materials
- Ribs in housing ensure optimal fixation in road foundation
- Selected materials for housing and lid ensure easy opening at all times
- Various colours and lid inscriptions possible
- Available as lockable version making the surface box tamper proof
- Heat resistant to max. 250 °C

Standards

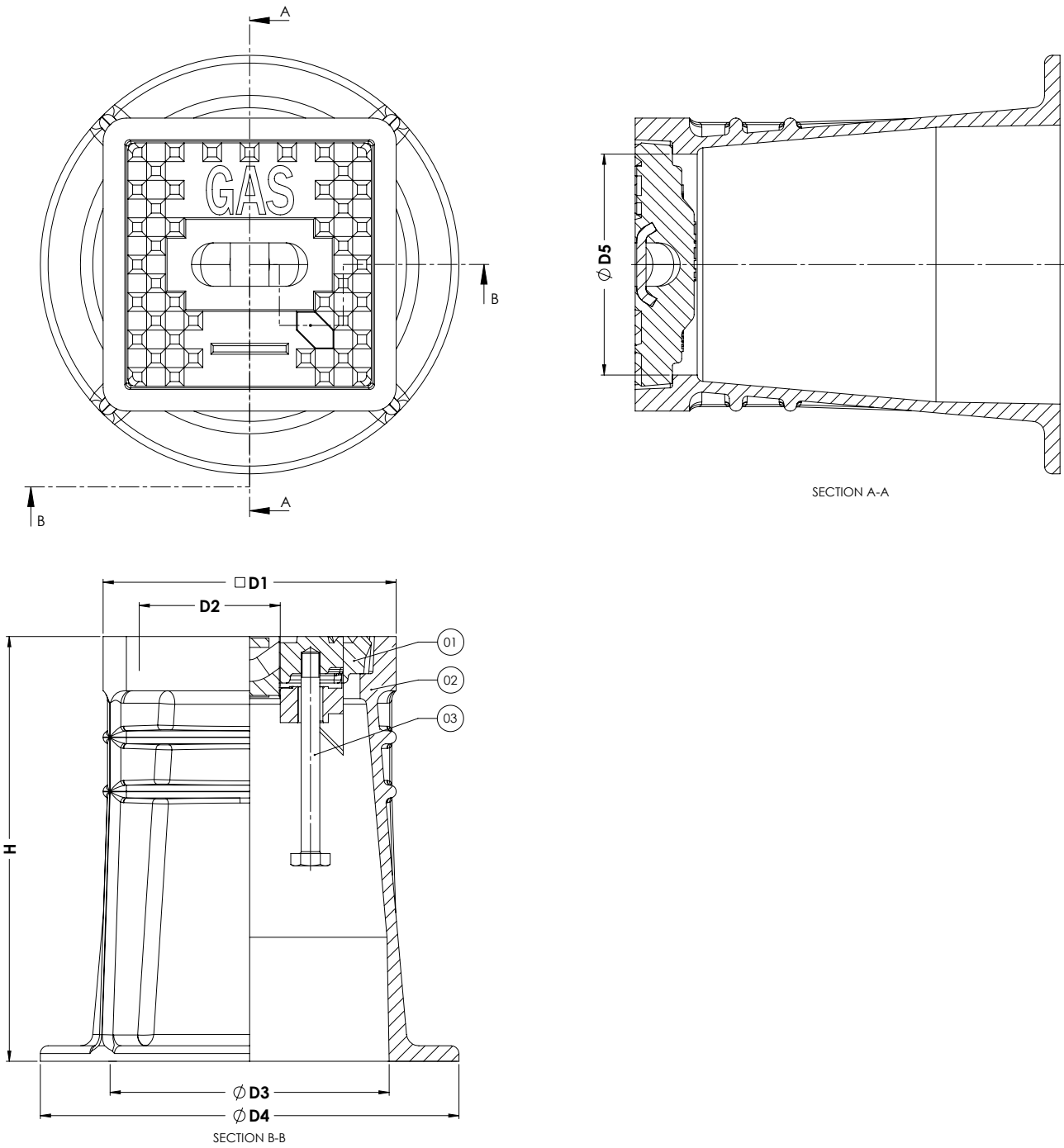
- Design according to DIN3581
- DVGW VP310-2, EN124 test method
- DVGW approval, certificate DG-4531BP0133

Accessories

- Support tile I
- Torque Adaptor I & II-A



Expect... **AVR**



Component list

1. Lid	EN-GJL-250
2. Housing	PA+
3. Bolt M12x130 hexagon head	A2-70

Reference nos. and nominal dimensions

AVK ref. nos.	D1 mm	D2 mm	D3 mm	D4 mm	D5 mm	H mm	Weight box in kg	Weight lid in kg	Total weight in kg
80-34-000XXX	189	107	180	270	142	274	2.6	4.1	6.7