



AVK SURFACE BOX H-3582 HD-GG

80/35
000

Fixed height
Surface box for distribution valves and district heating
Standard lid inscription: GAS

Types

- H-3582 HD-GG
 - Square cast iron lid
 - Square top surface box

Features

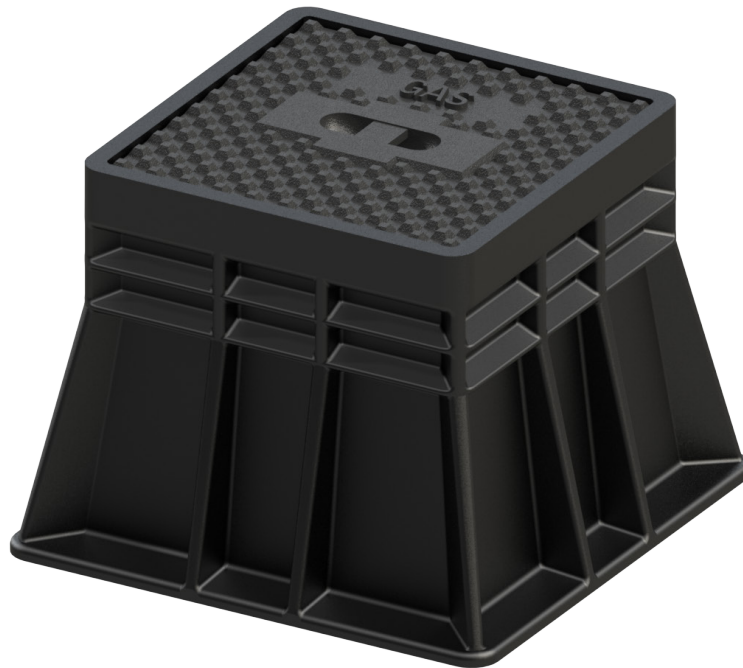
- Lightweight, maintenance free and noiseless design
- 100% recyclable and less use of energy resources compared to traditional materials
- Ribs in housing ensure optimal fixation in road foundation
- Selected materials for housing and lid ensure easy opening at all times
- Various colours and lid inscriptions possible
- Available as lockable version making the surface box tamperproof
- Heat resistant to max. 250 °C

Standards

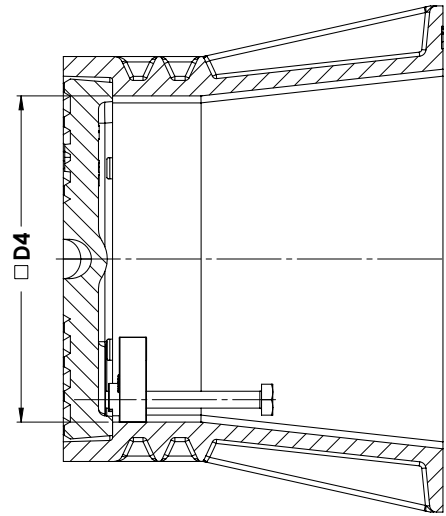
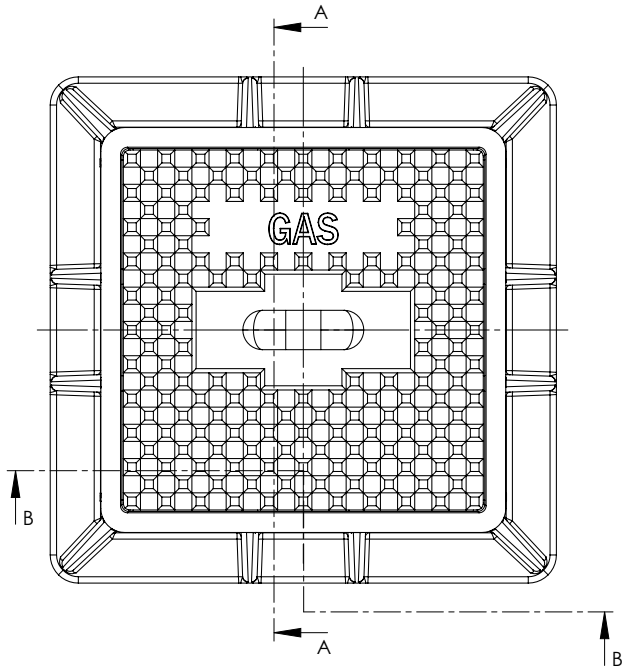
- Design according to DIN3582
- DVGW VP310-2, EN124 test method
- DVGW approval, certificate DG-4531BQ0193

Accessories

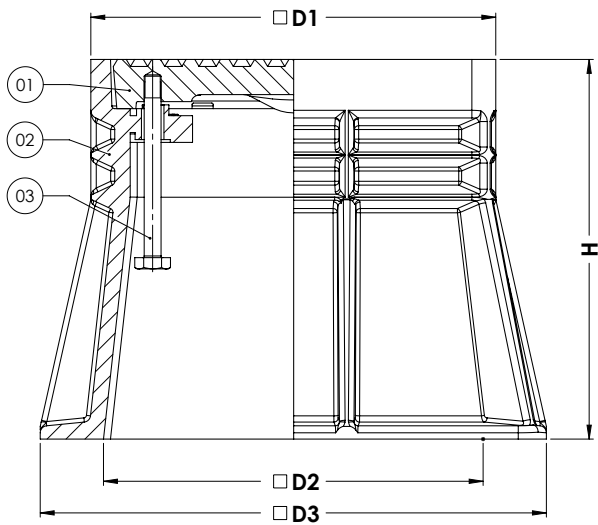
- Support tile II
- Torque Adaptor II-B



Expect... **AVR**



SECTION A-A



SECTION B-B

Component list

1. Lid	EN-GJL-200
2. Housing	PA+
3. Bolt M12x130 hexagon head	A2-70

Reference nos. and nominal dimensions

AVK ref. nos.	D1 mm	D2 mm	D3 mm	D4 mm	H mm	Weight box in kg	Weight lid in kg	Total weight in kg
80-35-000XXXX	288	270	360	232	270	5.7	10.9	16.5