



AVK SURFACE BOX H-3584 MD-KU

80/37
004

Fixed height
Surface box for distribution valves and district heating
Standard lid inscription: GAS

Types

- H-3584 MD-KU
- Square synthetic lid
- Square top surface box

Features

- Lightweight, maintenance free and noiseless design
- 100% recyclable and less use of energy resources compared to traditional materials
- Ribs in housing ensure optimal fixation in road foundation
- Selected materials for housing and lid ensure easy opening at all times
- Various colours and lid inscriptions possible
- Heat resistant to max. 160 °C
- Available as lockable version making the surface box tamperproof
- Available with magnet for easy detectability
- Discourages thieves; no value in stealing
- Synthetic lid enables signal transmission

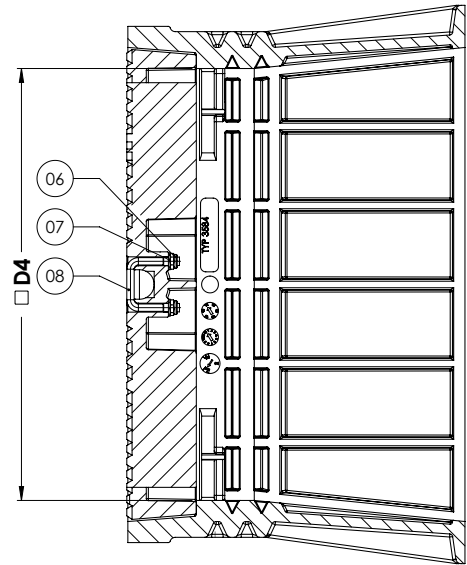
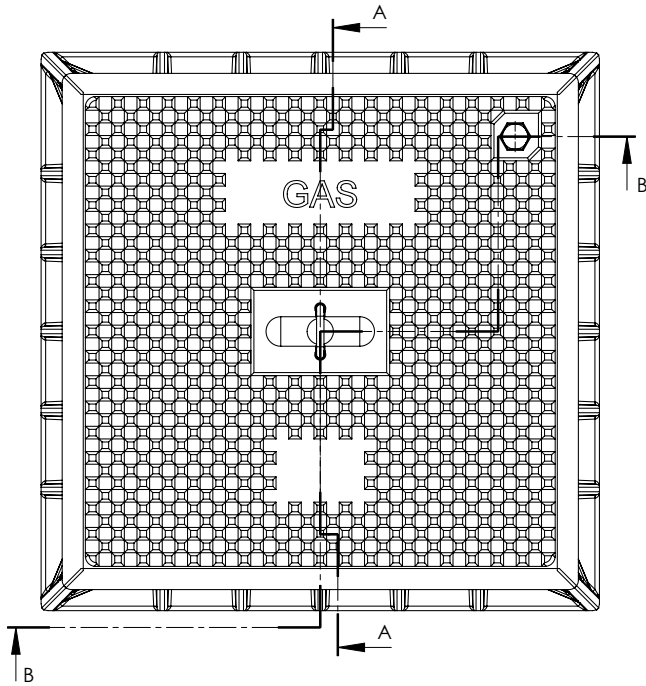
Standards

- Design derived from DIN3584
- DVGW VP310-1, EN124 test method

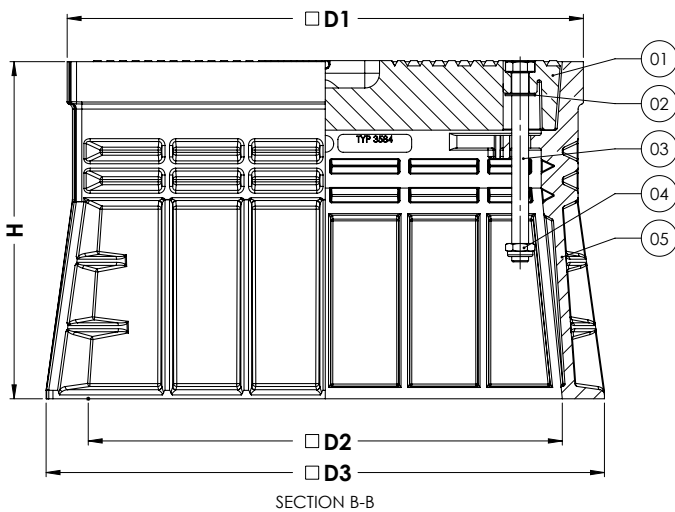


38.4 kg
CO2 eq.

Expect... **AVR**



SECTION A-A



SECTION B-B

Component list

1. Lid	PP 40%GF
2. Push on fastener M16	A2
3. Bolt M16x180 hexagon head	A2-70
4. Prevailing torque nut M16	A2
5. Housing	HDPE
6. Prevailing torque nut M8	A2
7. Washer M8	A2
8. Crossbar	A2

Reference nos. and nominal dimensions

AVK ref. nos.	D1 mm	D2 mm	D3 mm	D4 mm	H mm	Weight box in kg	Weight lid in kg	Total weight in kg
80-37-004XXXX	490	450	530	410	320	9.6	5.8	15.4