



## AVK SURFACE BOX H-4059VF HD-GG

80/33  
300

Height adjustable with Fugenring  
Surface box for service connection valves  
Standard lid inscription: GAS with symbol "-" / "+" / "□"

### Types

- H-4059VF HD-GG
  - Square cast iron lid
  - Square top surface box

### Features

- Lightweight, maintenance free and noiseless design
- 100% recyclable and less use of energy resources compared to traditional materials
- Ribs in housing ensure optimal fixation in road foundation
- Selected materials for housing and lid ensure easy opening at all times
- Various colours and lid inscriptions possible
- Available as lockable version making the surface box tamperproof
- Heat resistant to max. 240 °C
- Large height range and flexible positioning of top part
- Inscription in lid to be positioned easily
- No costly corrections after installation
- Reinforced rim ensures better support of top part
- Durable joint between tarmac and surface box
- Installation according to ZTV Fug-StB 15 guidelines

### Standards

- Design derived from DIN4059
- DVGW VP310-2, EN124 test method

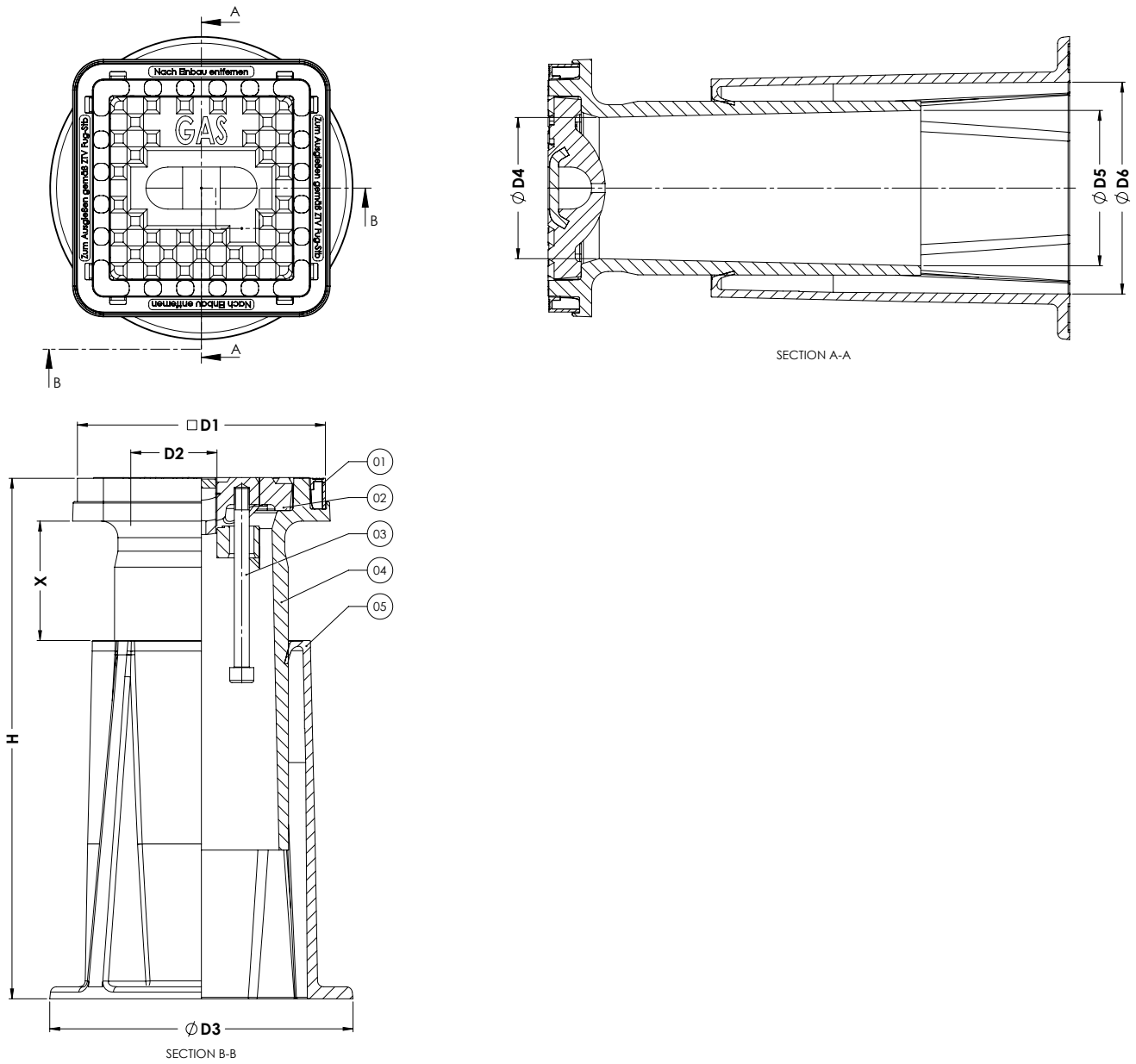
### Accessories

- Support tile I



7.3 kg  
CO2 eq.

Expect... **AVR**



**Component list**

1. Fugenring	PA
2. Lid	EN-GJL-200
3. Bolt M12x130 hexagon socket head	A2-70
4. Housing top part	PA+
5. Housing bottom part	PA+

**Reference nos. and nominal dimensions**

AVK ref. nos.	D1 mm	D2 mm	D3 mm	D4 mm	D5 mm	D6 mm	H mm	X mm
80-33-300XXXX	165	68	202	94	103	141	347-447	80-180
	Weight box in kg	Weight lid in kg	Total weight in kg					
	1.8	2.0	3.7					