



AVK SURFACE BOX H-4057VF HD-GG

80/32
300

Height adjustable with Fugenring
Surface box for service connection valves
Standard lid inscription: W

Types

- H-4057VF HD-GG
 - Round cast iron lid
 - Round top surface box

Features

- Lightweight, maintenance free and noiseless design
- 100% recyclable and less use of energy resources compared to traditional materials
- Ribs in housing ensure optimal fixation in road foundation
- Selected materials for housing and lid ensure easy opening at all times
- Various colours and lid inscriptions possible
- Available as lockable version making the surface box tamperproof
- Heat resistant to max. 240 °C
- Large height range and flexible positioning of top part
- Inscription in lid to be positioned easily
- No costly corrections after installation
- Reinforced rim ensures better support of top part
- Durable joint between tarmac and surface box
- Installation according to ZTV Fug-StB 15 guidelines

Standards

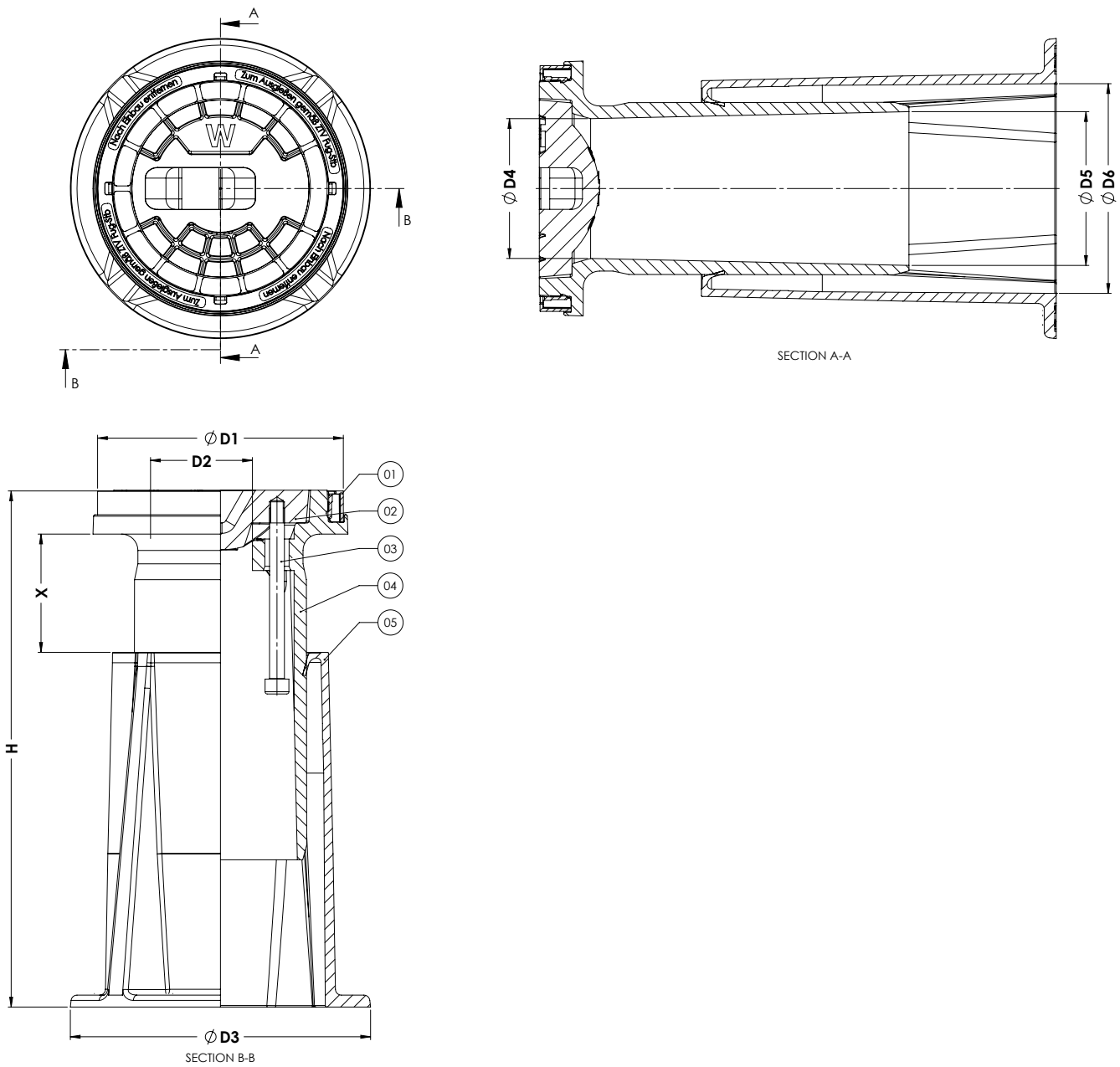
- Design according to DIN4057
- DVGW VP310-2, EN124 test method
- DVGW approval, certificate DW-4530BN0471

Accessories

- Support tile I



Expect... **AVR**



Component list

1. Fugenring	PA
2. Lid	EN-GJL-250
3. Bolt M10x130 hexagon head	A2-70
4. Housing top part	PA+
5. Housing bottom part	PA+

Reference nos. and nominal dimensions

AVK ref. nos.	D1 mm	D2 mm	D3 mm	D4 mm	D5 mm	D6 mm	H mm	X mm
80-32-300XXXX	165	68	202	94	103	141	347-447	80-180
	Weight box in kg	Weight lid in kg	Total weight in kg					
	1.7	1.7	3.5					