



AVK SURFACE BOX H-4056P MD-KU

80/31
204

Fixed height
Special model for pavement
Surface box for distribution valves
Standard lid inscription: W

Types

- H-4056P MD-KU
 - Round synthetic lid
 - Square top surface box

Features

- Lightweight, maintenance free and noiseless design
- 100% recyclable and less use of energy resources compared to traditional materials
- Ribs in housing ensure optimal fixation in road foundation
- Selected materials for housing and lid ensure easy opening at all times
- Various colours and lid inscriptions possible
- Heat resistant to max. 250 °C
- Available as lockable version making the surface box tamperproof
- Available with magnet for easy detectability
- Locking clip around the bolt ensuring lid will stay in its place
- Discourages thieves; no value in stealing
- Synthetic lid enables signal transmission
- Due to rectangular top ideal solution for pavement installation

Standards

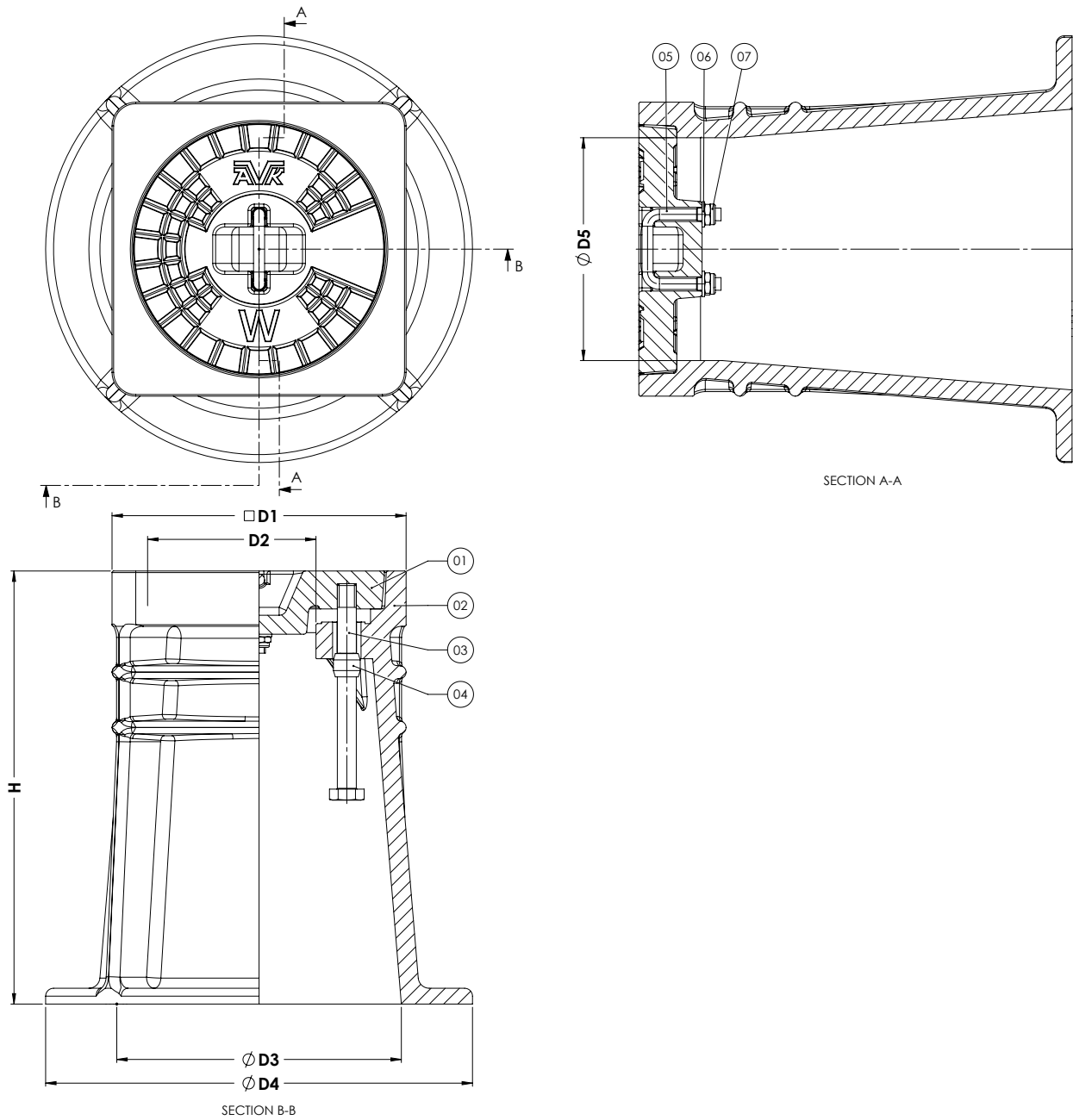
- Design derived from DIN4056
- DVGW VP310-2, EN124 test method

Accessories

- Support tile I
- Torque Adaptor I & II-A
- Top frame for gate valve



Expect... **AVR**



Component list

1. Lid	PP 40%GF
2. Housing	PA+
3. Bolt M12x130 hexagon head	A2-70
4. Locking clip	PP
5. Crossbar	AISI 304
6. Washer M8	A2
7. Prevailing torque nut M8	A2

Reference nos. and nominal dimensions

AVK ref. nos.	D1 mm	D2 mm	D3 mm	D4 mm	D5 mm	H mm	Weight box in kg	Weight lid in kg	Total weight in kg
80-31-204XXXX	186	106	180	270	140	274	2.6	0.5	3.1