



## AVK SURFACE BOX H-4056P HD-GG

80/31  
200

Fixed height  
Special model for pavement  
Surface box for distribution valves  
Standard lid inscription: W

### Types

- H-4056P HD-GG
  - Round cast iron lid
  - Square top surface box

### Features

- Lightweight, maintenance free and noiseless design
- 100% recyclable and less use of energy resources compared to traditional materials
- Ribs in housing ensure optimal fixation in road foundation
- Selected materials for housing and lid ensure easy opening at all times
- Various colours and lid inscriptions possible
- Available as lockable version making the surface box tamperproof
- Heat resistant to max. 250 °C
- Due to square top ideal solution for pavement installation

### Standards

- Design derived from DIN4056
- DVGW VP310-2, EN124 test method

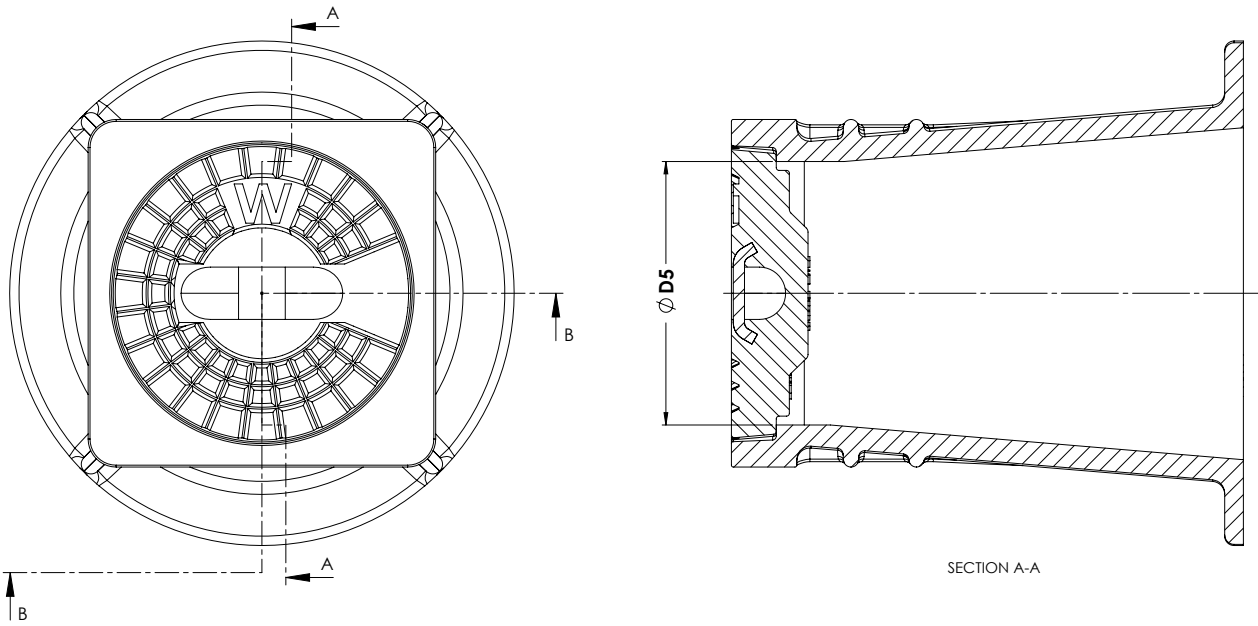
### Accessories

- Support tile I
- Torque Adaptor I & II-A
- Top frame for gate valve



12.1 kg  
CO2 eq.

Expect... **AVR**



SECTION A-A

SECTION B-B

**Component list**

1. Lid	EN-GJL-200
2. Housing	PA+
3. Bolt M12x130 hexagon head	A2-70

**Reference nos. and nominal dimensions**

AVK ref. nos.	D1 mm	D2 mm	D3 mm	D4 mm	D5 mm	H mm	Weight box in kg	Weight lid in kg	Total weight in kg
80-31-200XXXX	186	106	180	270	140	274	2.7	3.9	6.6