



## AVK SURFACE BOX SURFACE BOX MP LD-GG

80/22  
022



Fixed height  
Surface box for service connection valves  
Standard inscription plate: WATER



### Types

- Surface Box MP LD-GG
  - Round cast iron lid
  - Round top surface box



### Features

- Lightweight, maintenance free and noiseless design
- 100% recyclable and less use of energy resources compared to traditional materials
- Selected materials for housing and lid ensure easy opening at all times
- Various colours and lid inscriptions possible
- Heat resistant to max. 250 °C
- Limited installation depth required
- Click system ensuring lid will stay in place
- Galvanized steel cable attached lid to surface box
- Acceptance and fixation of down pipes Ø 75, 90, 98, 110 and 118mm directly in surface box

### Standards

- EN124 test method

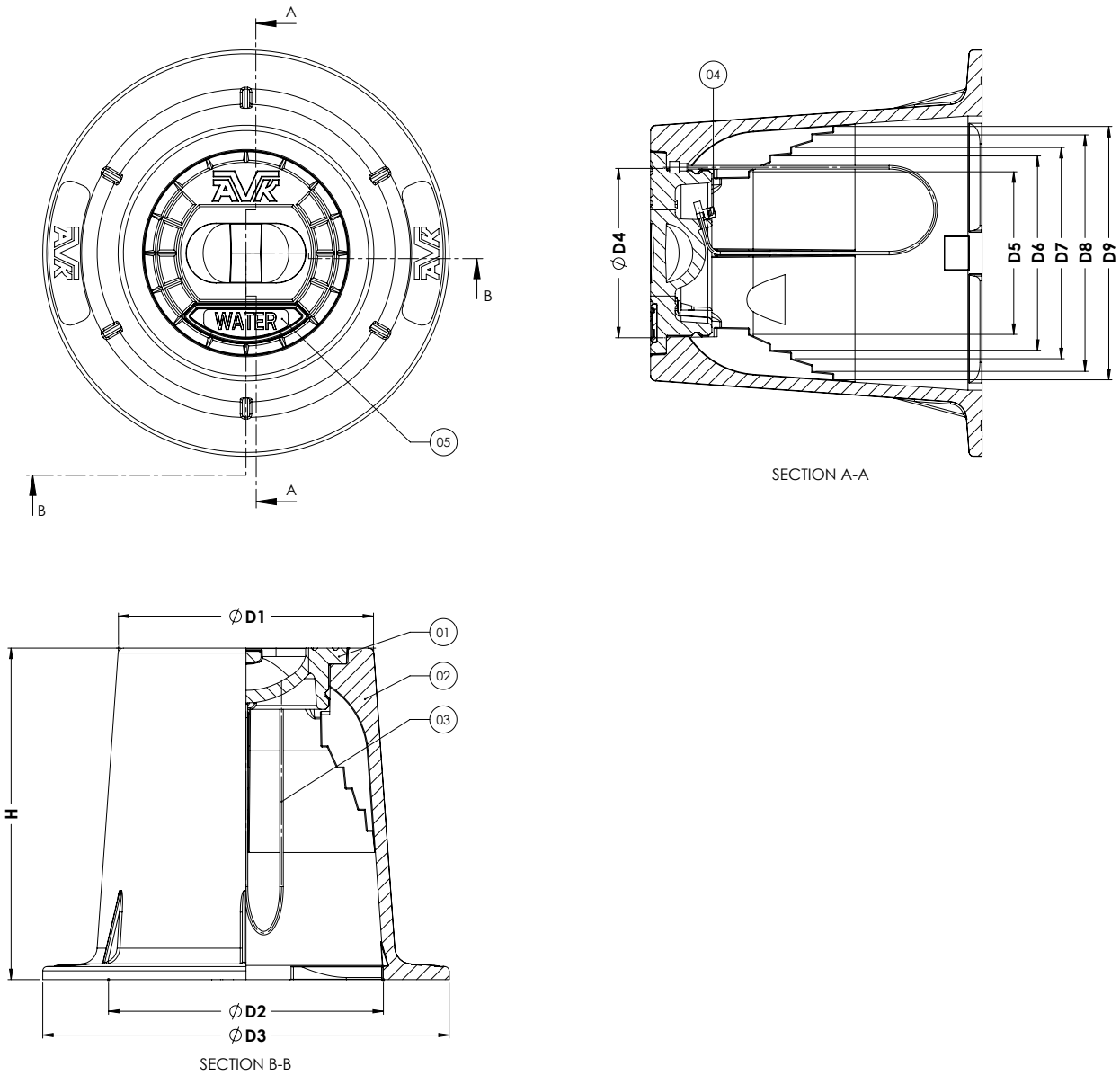
### Accessories

- Support tile I



2.3 kg  
CO2 eq.

Expect... **AVR**



**Component list**

1. Lid	EN-GJL-200
2. Housing	PA+
3. Cable	Galvanized steel
4. Tie wrap	PA
5. Inscription plate	PA

**Reference nos. and nominal dimensions**

AVK ref. nos.	D1 mm	D2 mm	D3 mm	D4 mm	D5 mm	D6 mm	D7 mm	D8 mm	D9 mm
80-22-0220XXX	121	130	193	80	77	92	100	112	120
	H mm	Weight box in kg	Weight lid in kg	Total weight in kg					
	157	0.6	0.7	1.3					