



AVK SURFACE BOX SURFACE BOX MPVP LD-GG

80/22
822

Height adjustable
Surface box for service connection valves
Standard lid inscription: W

Types

- Surface Box MPVP LD-GG
 - Round cast iron lid
 - Square top surface box

Features

- Lightweight, maintenance free and noiseless design
- 100% recyclable and less use of energy resources compared to traditional materials
- Selected materials for housing and lid ensure easy opening at all times
- Various colours and lid inscriptions possible
- Heat resistant to max. 250 °C
- Limited installation depth required
- Click system ensuring lid will stay in its place
- Galvanized steel cable attached lid to surface box
- Large height range and flexible positioning of top part
- Inscription in lid to be positioned easily
- No costly corrections after installation

Standards

- EN124 test method

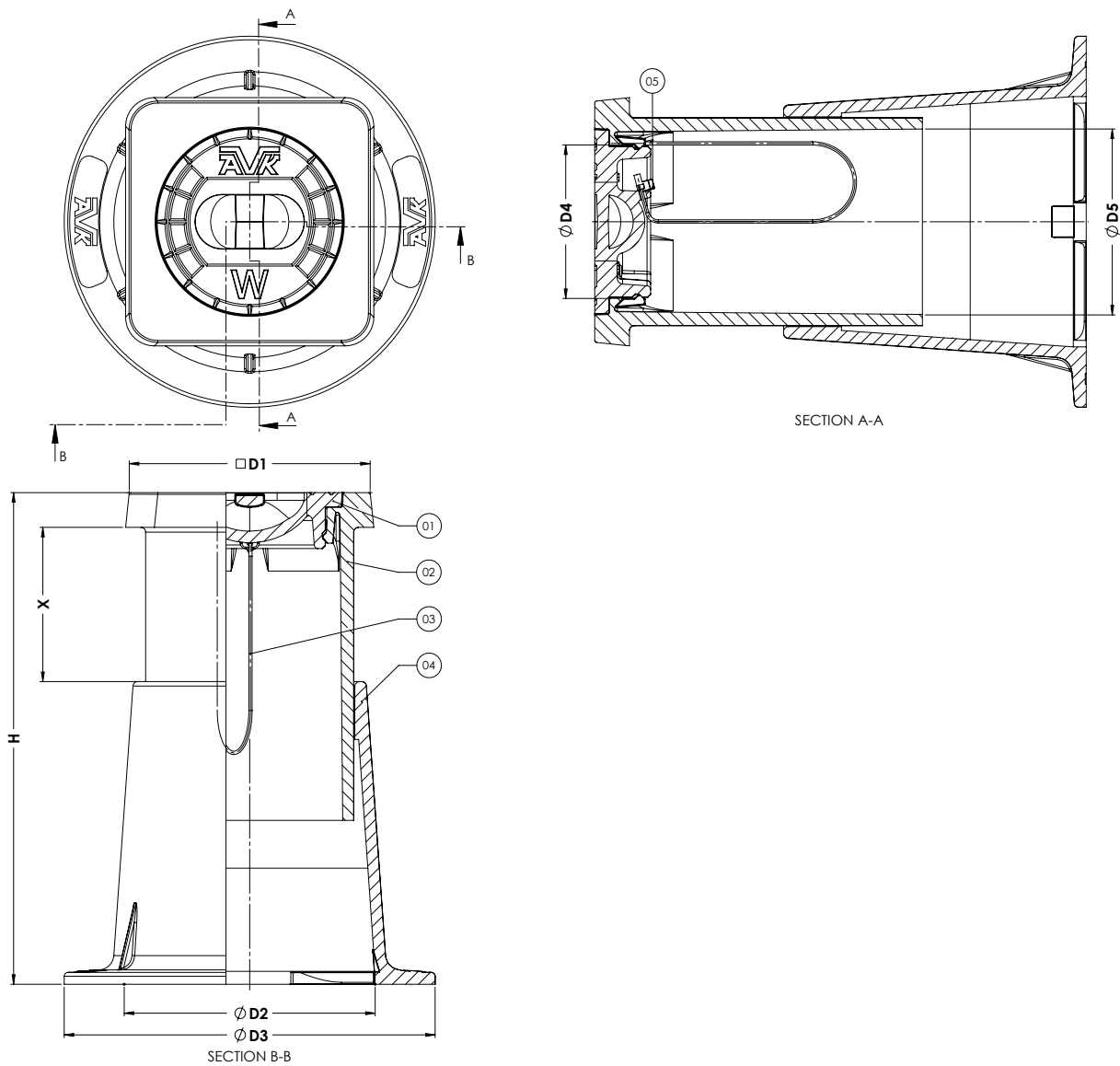
Accessories

- Support tile I



3.0 kg
CO2 eq.

Expect... **AVR**



Component list

1. Lid	EN-GJL-200
2. Housing top part	PA+
3. Cable	Galvanized steel
4. Housing bottom part	PA+
5. Tie wrap	PA

Reference nos. and nominal dimensions

AVK ref. nos.	D1 mm	D2 mm	D3 mm	D4 mm	D5 mm	H mm	X mm
80-22-82200XX	125	130	193	79	96	230-300	60-130
	Weight box in kg	Weight lid in kg	Total weight in kg				
	1.1	0.7	1.8				