



## AVK SURFACE BOX H-3584 D400 CC4

80/37  
006

Fixed height  
Surface box for combi cross valves DN100-150-200  
Standard lid inscription: W

### Types

- H-3584 D400 CC4
  - Square ductile iron lid with 4 individual round access points
  - Square top surface box

### Features

- Lightweight, maintenance free and noiseless design
- 100% recyclable and less use of energy resources compared to traditional materials
- Ribs in housing ensure optimal fixation in road foundation
- Selected materials for housing and lid ensure easy opening at all times
- Various colours and lid inscriptions possible
- Available as lockable version making the surface box tamperproof
- Heat resistant to max. 160 °C
- Stable and proper fixation of extension spindles by use of stainless steel spindle fixation
- Individual access to extension spindle of each individual valve
- Suitable for various combi cross valves on the market
- Avoids necessity of building expensive chamber

### Standards

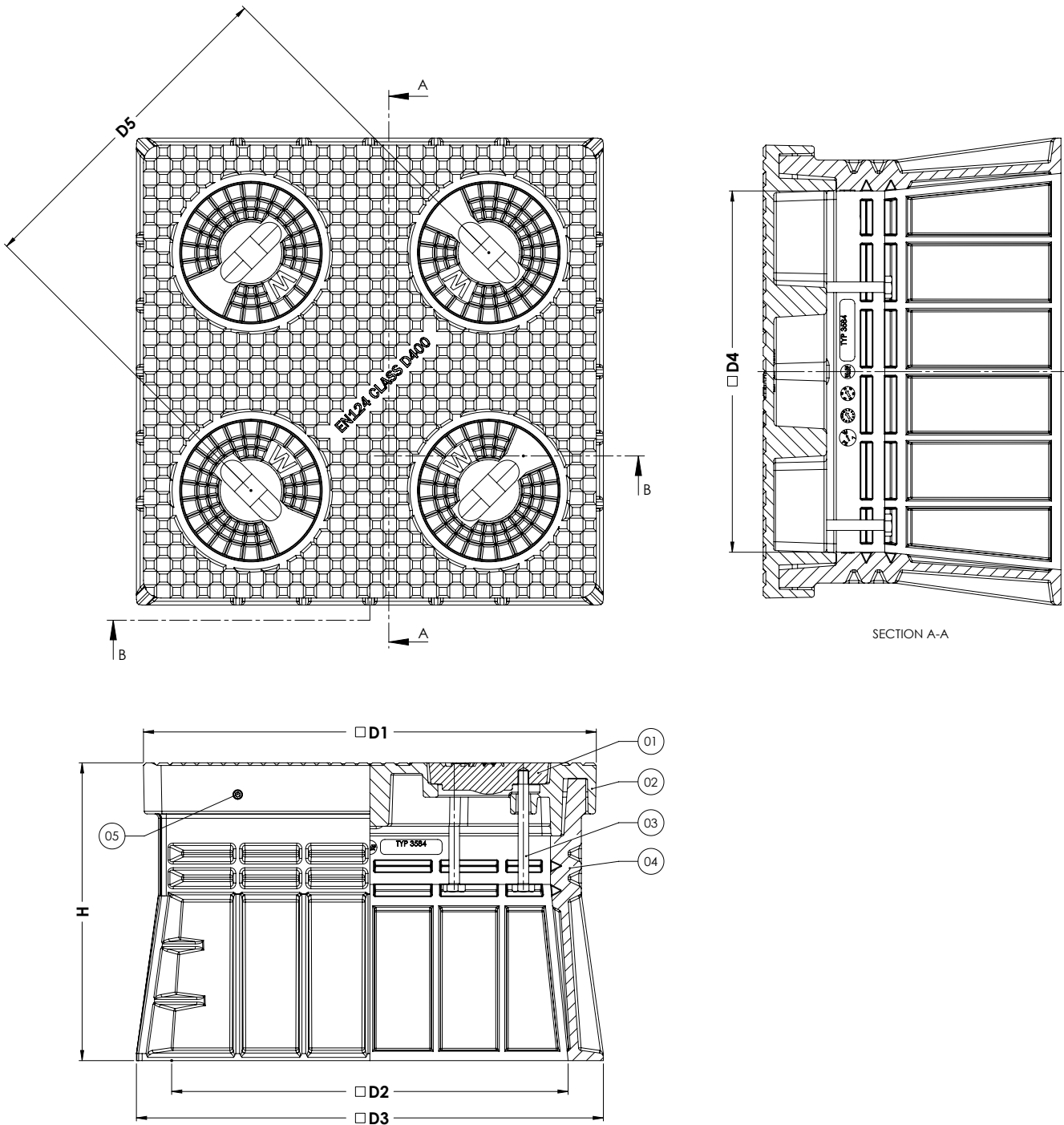
- Design derived from DIN3584
- DVGW VP310-1, EN124 test method

### Accessories

- Extension spindle fixation



Expect... **AVR**



**Component list**

1. Lid 4056	EN-GJL-200
2. Coverplate D400 CC4	GJS-500-7
3. Bolt M12x130mm hexagon head	A2-70
4. Housing	HDPE
5. Bolt M6x40 hexagon socket head	A2-70

**Reference nos. and nominal dimensions**

AVK ref. nos.	D1 mm	D2 mm	D3 mm	D4 mm	D5 mm	H mm	Weight 4056 in kg	Weight D400 in kg	Weight box in kg	Total weight in kg
80-37-00600XX	514	450	530	410	382	338	3.9	45.9	9.7	71.1