



AVK SUPPORT TILE TYPE 2

80/46
005



AVK support tile for underground hydrants, distribution valves and district heating



Types

- Type 2
 - Oval synthetic tile

The support tile Type 2 is suitable for surface boxes: DIN4055, DIN3582

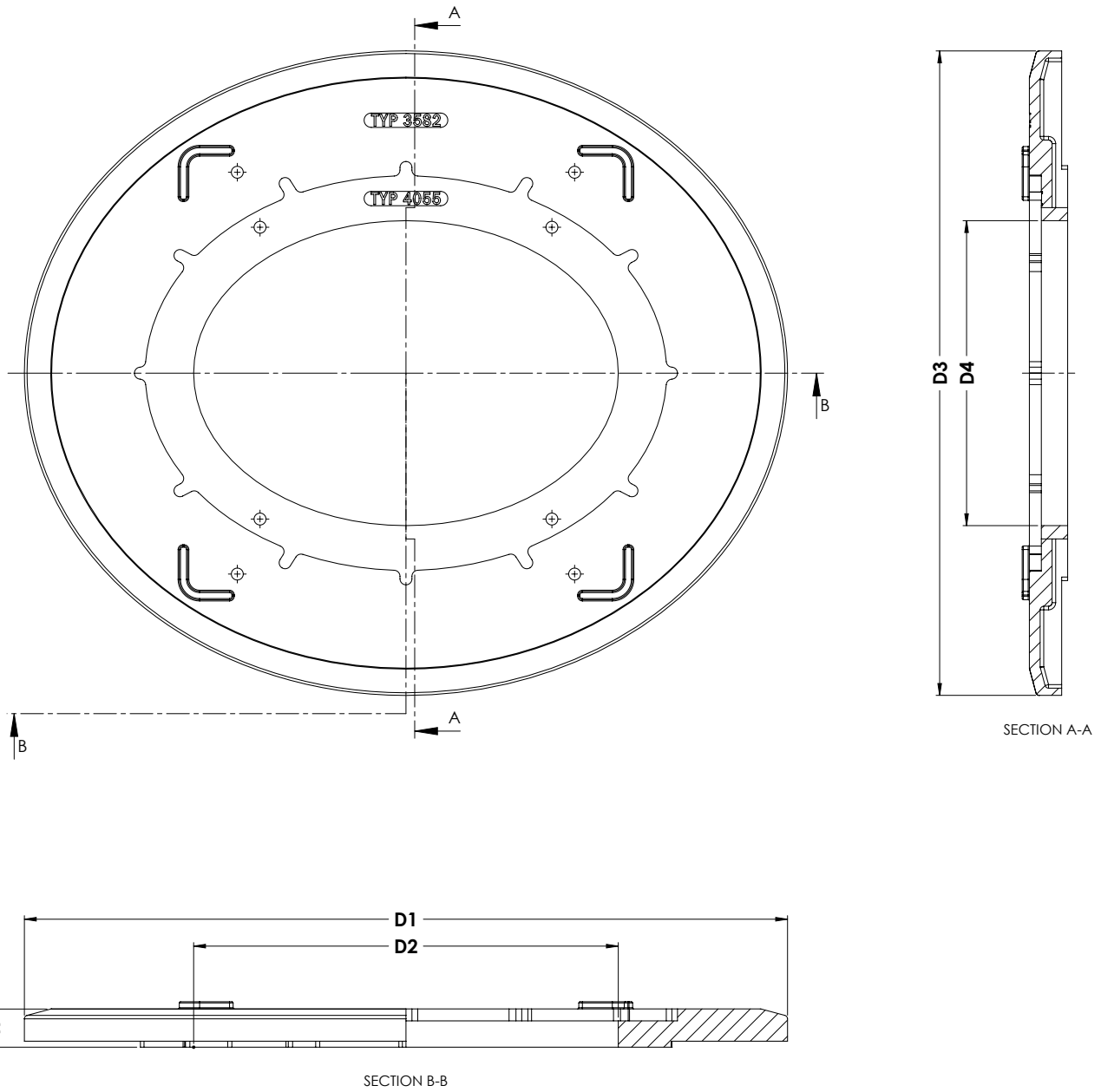


Features

- Support tiles will increase support surface in weak soils
- With small rims for fixation of surface boxes
- 100% recyclable



Expect... **AVR**



Component list

Support tile	HDPE
--------------	------

Reference nos. and nominal dimensions

AVK ref. nos.	D1 mm	D2 mm	D3 mm	D4 mm	H mm	Total weight in kg
80-46-00005X	638	355	540	255	32	2.0