



AVK SUPPORT TILE TYPE 1 SI

80/46
000



AVK support tile for distribution valves and service connection valves



Types

- Type 1 SI
- Round synthetic tile

The support tile Type 1 SI is suitable for surface boxes: DIN4056, DIN4057, DIN4059, DIN3581, Purdie, Pera



Features

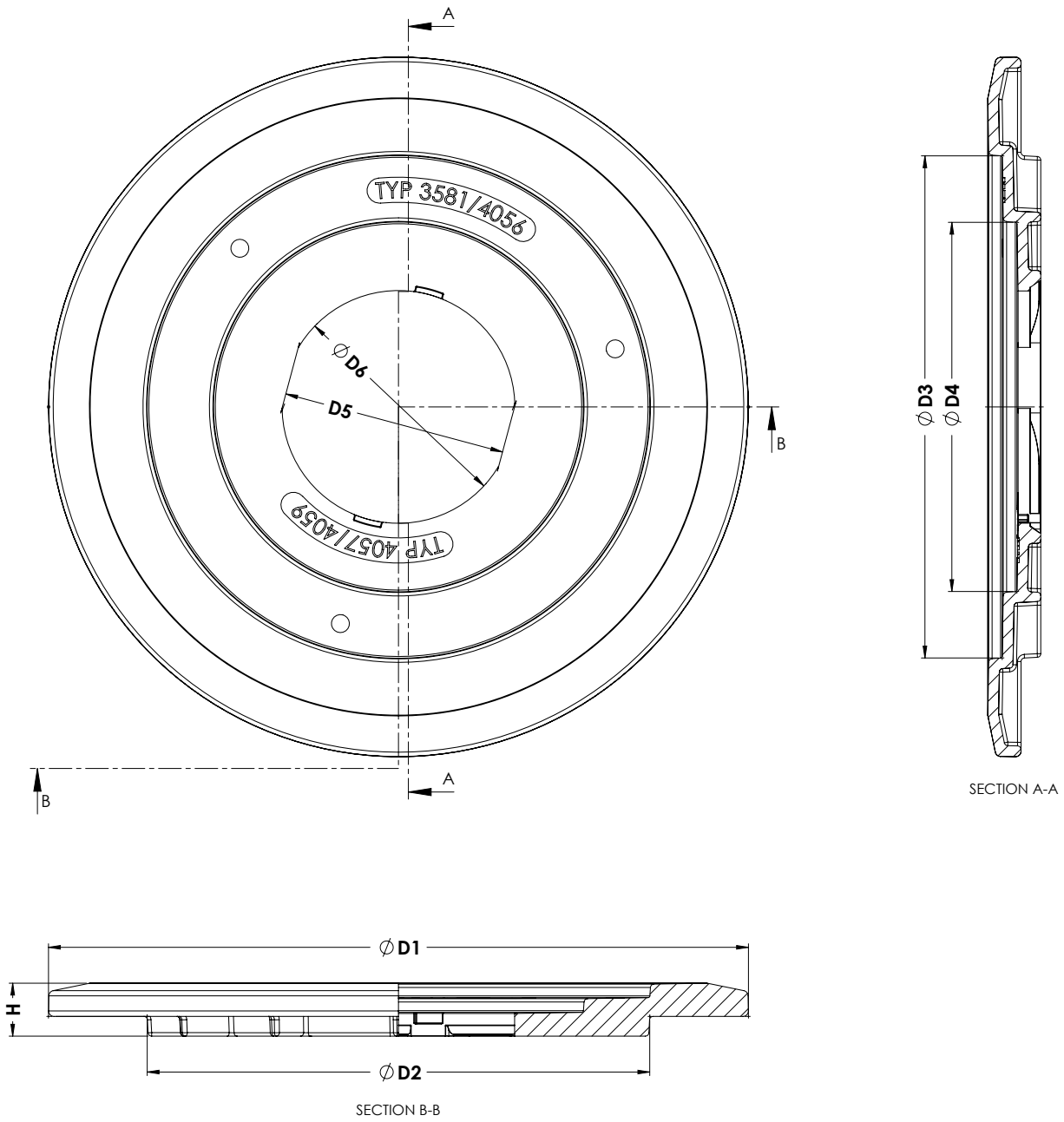
- Support tiles will increase support surface in weak soils
- Available with or without spindle fixation
- 100% recyclable
- Especially suitable in combination with spindle interface for strong fixation of the spindle

Accessories

- Spindle interface



Expect... **AVR**



Component list

Support tile	HDPE
--------------	------

Reference nos. and nominal dimensions

AVK ref. nos.	D1 mm	D2 mm	D3 mm	D4 mm	D5 mm	D6 mm	H mm	Total weight in kg
80-46-00003X	390	280	280	205	125	130	30	0.7