



AVK SUPPORT TILE TYPE 1 FSS

80/46
002

AVK support tile for distribution valves and service connection valves

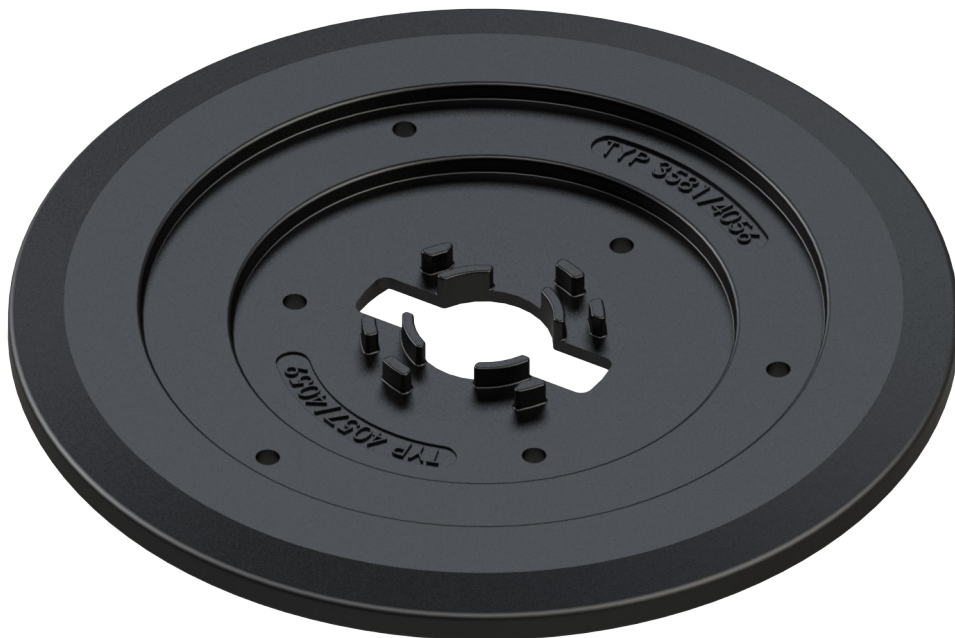
Types

- Type 1 FSS
 - Round synthetic tile
 - Small spindle fixation

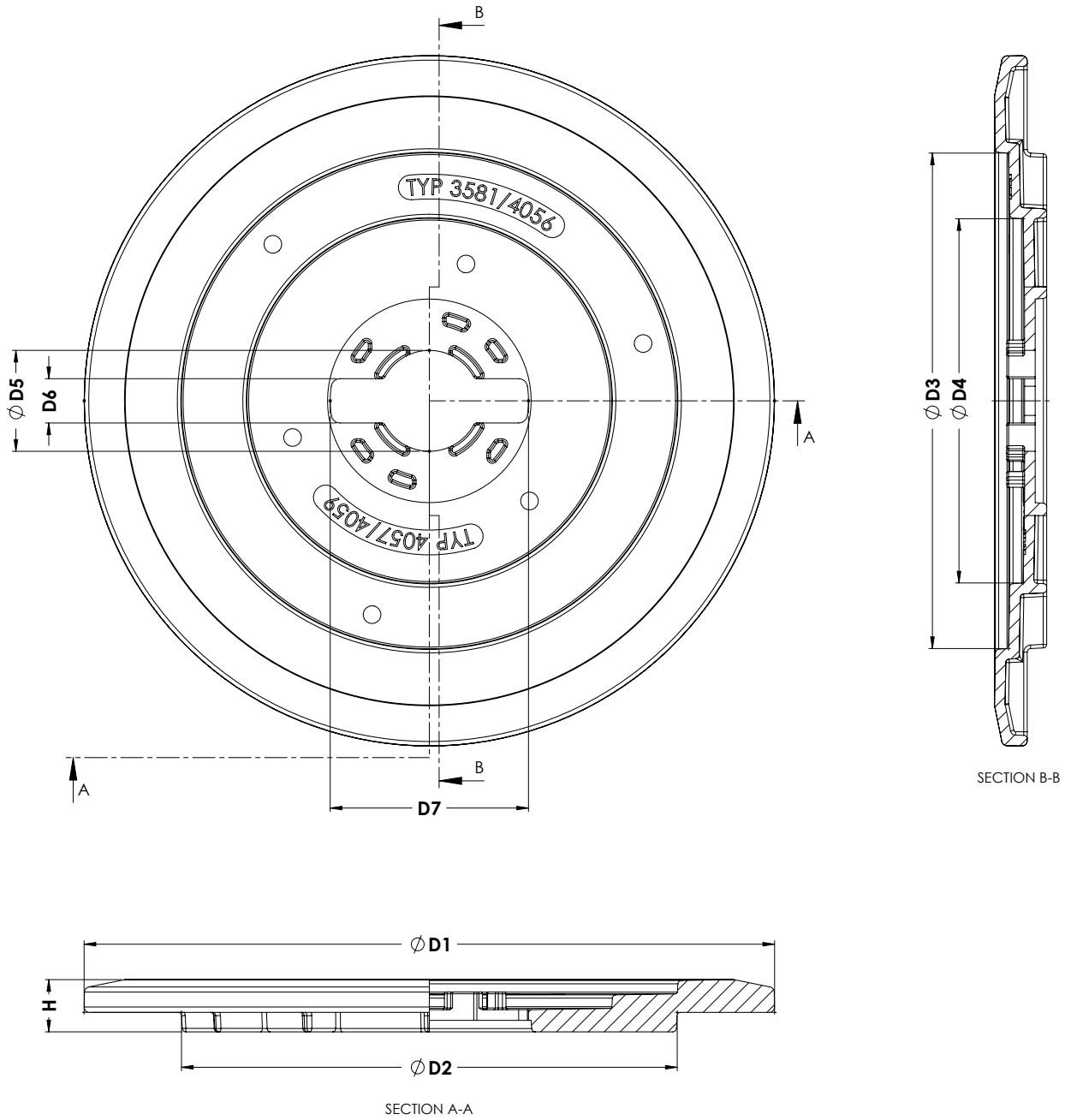
The support tile Type 1 FSS is suitable for surface boxes: DIN4056, DIN4057, DIN4059, DIN3581, Purdie, Pera

Features

- Support tiles will increase support surface in weak soils
- Available with or without spindle fixation
- 100% recyclable



Expect... **AVR**



Component list

Support tile	HDPE
--------------	------

Reference nos. and nominal dimensions

AVK ref. nos.	D1 mm	D2 mm	D3 mm	D4 mm	D5 mm	D6 mm	D7 mm	H mm	Total weight in kg
80-46-00002X	390	280	280	205	57	25	112	30	0.9