



AVK SURFACE BOX SURFACE BOX CPH HD-GG

80/21
200



Fixed height
Surface box for service connection valves
Standard lid inscription: VAND



Types

- Surface Box CPH HD-GG
 - Square cast iron lid
 - Square top surface box



Features

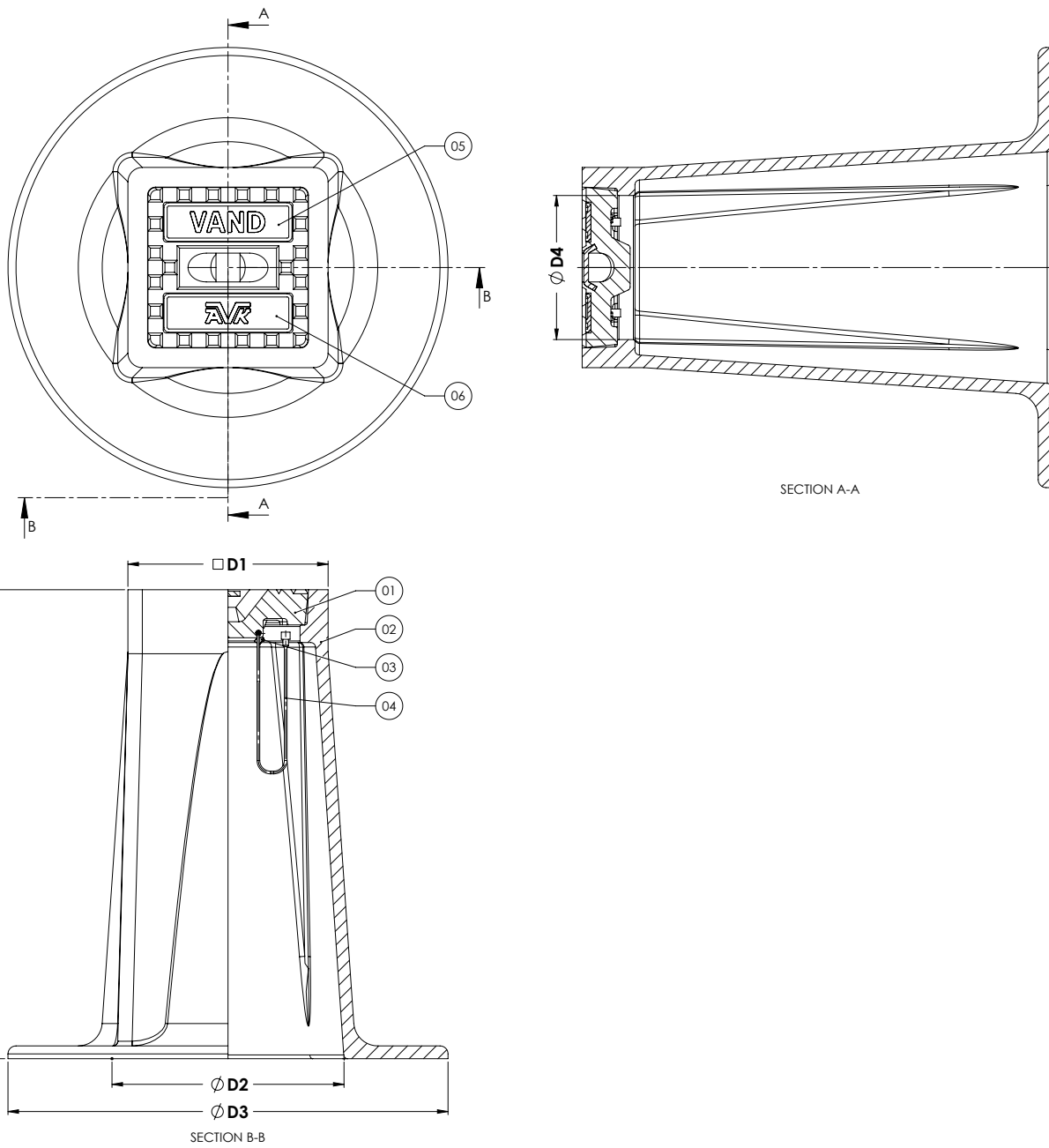
- Lightweight, maintenance free and noiseless design
- 100% recyclable and less use of energy resources compared to traditional materials
- Selected materials for housing and lid ensure easy opening at all times
- Various colours and lid inscriptions possible
- Heat resistant to max. 160 °C
- Galvanized steel cable attached lid to surface box

Standards

- EN124 test method



Expect... **AVR**



Component list

1. Lid	EN-GJL-200
2. Housing	HDPE
3. Tie wrap	PA
4. Cable	Galvanized steel
5. Inscription plate	PA
6. Inscription plate	PA

Reference nos. and nominal dimensions

AVK ref. nos.	D1 mm	D2 mm	D3 mm	D4 mm	H mm	Weight box in kg	Weight lid in kg	Total weight in kg
80-21-2000001	125	145	275	90	293	1.7	1.1	2.8