



## AVK SURFACE BOX H-4055 MD-GG AIR VALVE

80/30  
001

Fixed height  
Special model for air valves  
Surface box for underground air valves  
Standard lid inscription: AIR VALVE

### Types

- H-4055 MD-GG Air Valve
  - Oval cast iron lid
  - Oval top surface box

### Features

- Lightweight, maintenance free and noiseless design
- 100% recyclable and less use of energy resources compared to traditional materials
- Ribs in housing ensure optimal fixation in road foundation
- Selected materials for housing and lid ensure easy opening at all times
- Various colours and lid inscriptions possible
- Available as lockable version making the surface box tamperproof
- Heat resistant to max. 250 °C
- Locking clip around the bolt ensuring lid will stay in its place
- Large clear opening to grant access to air valve below
- Multiple holes in lid allow discharge and admittance of air
  - Discharge: max. 340m<sup>3</sup>/h
  - Admittance: max. 160m<sup>3</sup>/h
- Use of a Flexdrain around the air valve prevents dirt to block the in-/outlet, ensuring optimal operation

### Standards

- Design derived from DIN4055
- DVGW VP310-2, EN124 test method

### Accessories

- Support tile II
- Flexdrain

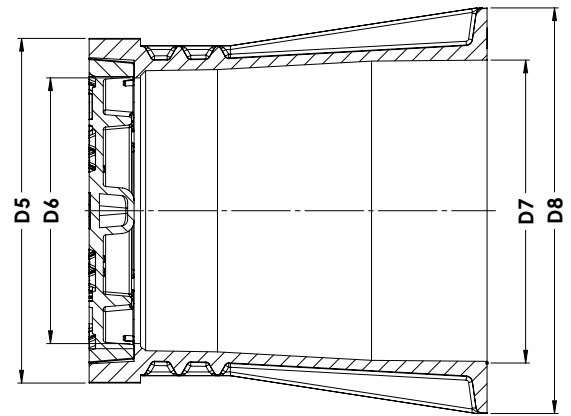
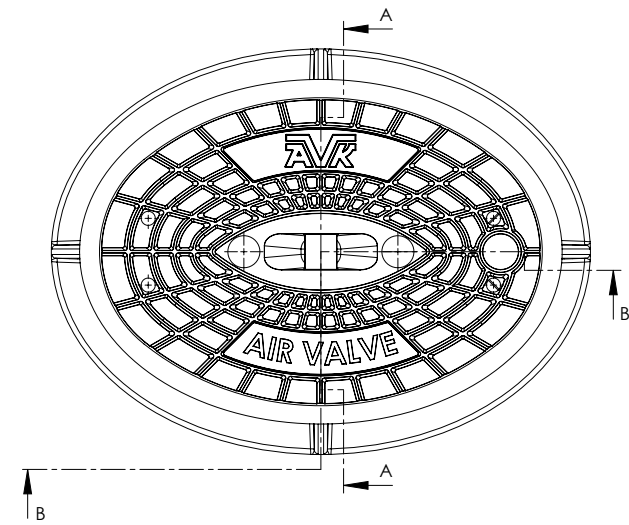


Top view

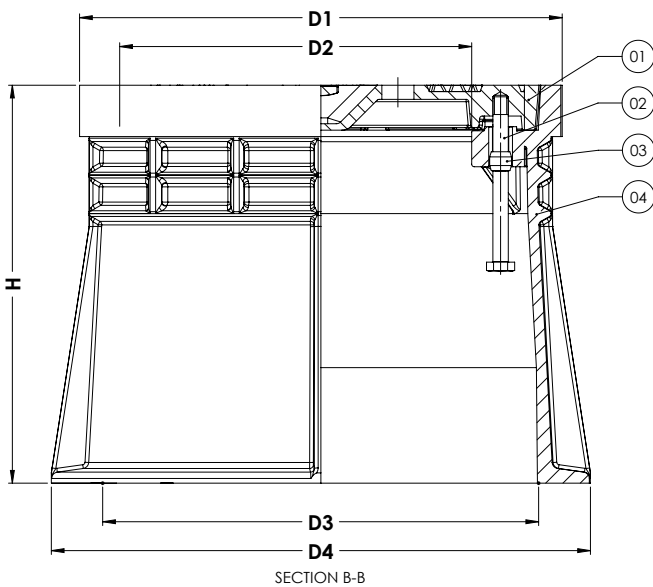


19.9 kg  
CO2 eq.

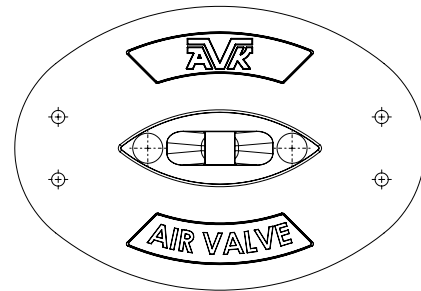
Expect... **AVR**



SECTION A-A



SECTION B-B



Total orifice: 1.362 mm<sup>2</sup>  
 Max. discharge: 340m<sup>3</sup>/h  
 Max. admittance: 160m<sup>3</sup>/h

**Component list**

1. Lid	EN-GJL-200
2. Notched bolt M12x130 hexagon head	A2-70
3. Locking clip	PP
4. Housing	PA+

**Reference nos. and nominal dimensions**

AVK ref. nos.	D1 mm	D2 mm	D3 mm	D4 mm	D5 mm	D6 mm	D7 mm	D8 mm
80-30-0010000	376	274	340	420	268	207	236	316
	H mm	Weight box in kg	Weight lid in kg	Total weight in kg				
	310	4.1	7.0	11.1				