



## AVK SURFACE BOX M-4055 MD-GG

80/30  
011



Fixed height  
Surface box for underground hydrants  
Standard lid inscription: AVK HYDRANT



### Types

- M-4055 MD-GG
  - Oval cast iron lid
  - Oval top surface box



### Features

- Lightweight, maintenance free and noiseless design
- 100% recyclable and less use of energy resources compared to traditional materials
- Ribs in housing ensure optimal fixation in road foundation
- Selected materials for housing and lid ensure easy opening at all times
- Various colours and lid inscriptions possible
- Available as lockable version making the surface box tamperproof
- Heat resistant to max. 250 °C
- Locking clip around the bolt ensuring lid will stay in its place

### Standards

- Design derived from DIN4055
- DVGW VP310-2, EN124 test method

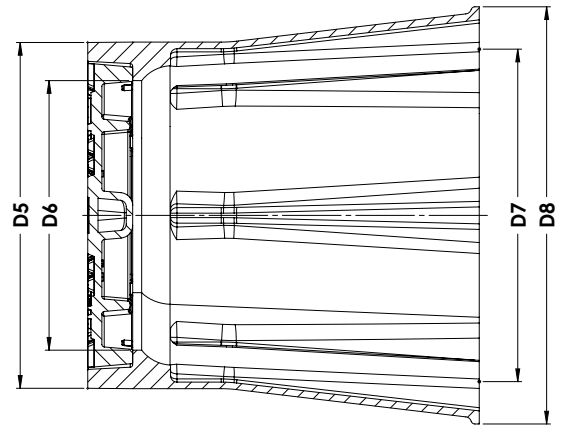
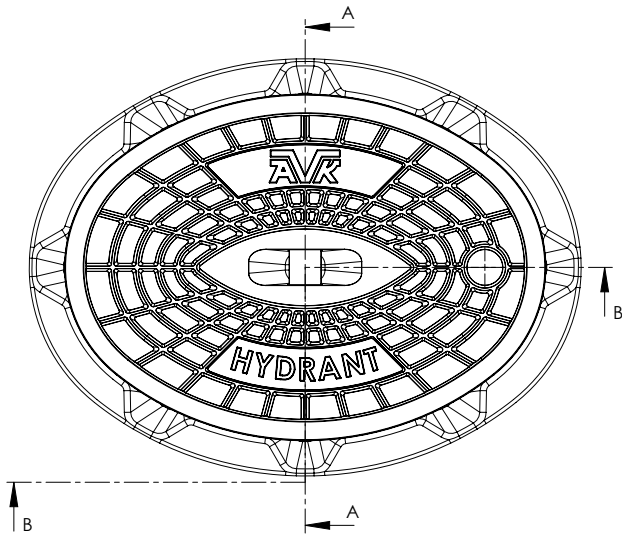
### Accessories

- Support tile II

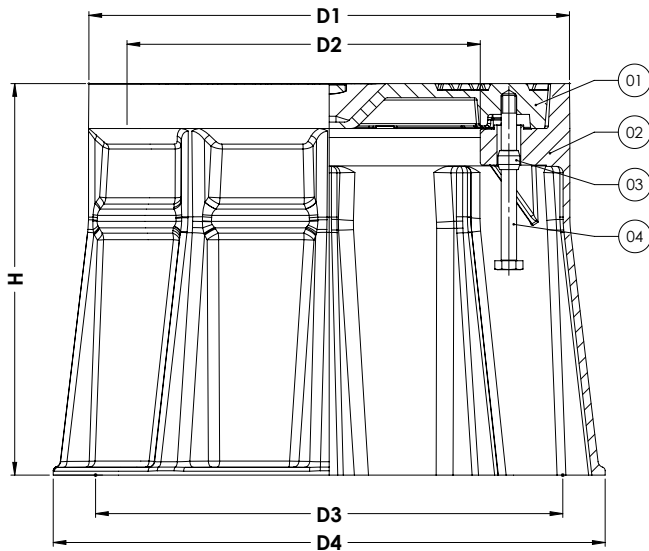


18.6 kg  
CO2 eq.

Expect... **AVR**



SECTION A-A



SECTION B-B

**Component list**

1. Lid	EN-GJL-200
2. Housing	PA+
3. Locking clip	PP
4. Notched bolt M12x130 hexagon head	A2-70

**Reference nos. and nominal dimensions**

AVK ref. nos.	D1 mm	D2 mm	D3 mm	D4 mm	D5 mm	D6 mm	D7 mm	D8 mm	H mm
80-30-011XXXX	374	275	364	430	270	210	259	325	305
	Weight box in kg	Weight lid in kg	Total weight in kg						
	3.0	7.1	10.0						