



AVK SURFACE BOX M-4055 MD-KU

80/30
014



Fixed height
Surface box for underground hydrants
Standard lid inscription: AVK HYDRANT



Types

- M-4055 MD-KU
 - Oval synthetic lid
 - Oval top surface box



Features

- Lightweight, maintenance free and noiseless design
- 100% recyclable and less use of energy resources compared to traditional materials
- Ribs in housing ensure optimal fixation in road foundation
- Selected materials for housing and lid ensure easy opening at all times
- Various colours and lid inscriptions possible
- Heat resistant to max. 250 °C
- Available as lockable version making the surface box tamperproof
- Available with magnet for easy detectability
- Locking clip around the bolt ensuring lid will stay in its place
- Discourages thieves; no value in stealing
- Synthetic lid enables signal transmission

Standards

- Design derived from DIN4055
- DVGW VP310-2, EN124 test method

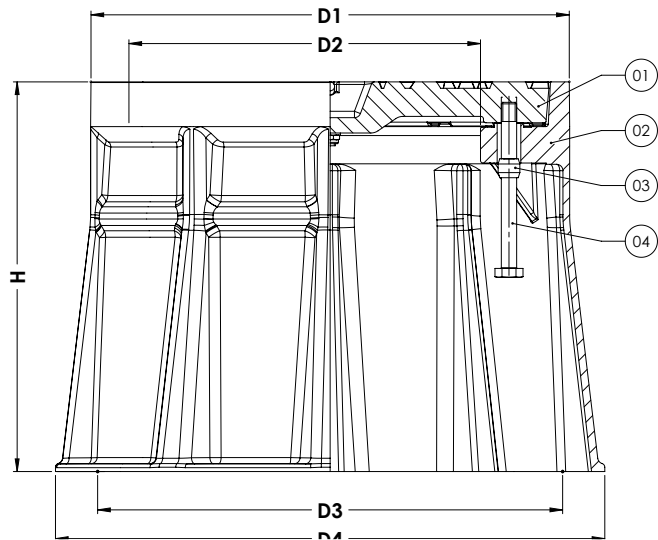
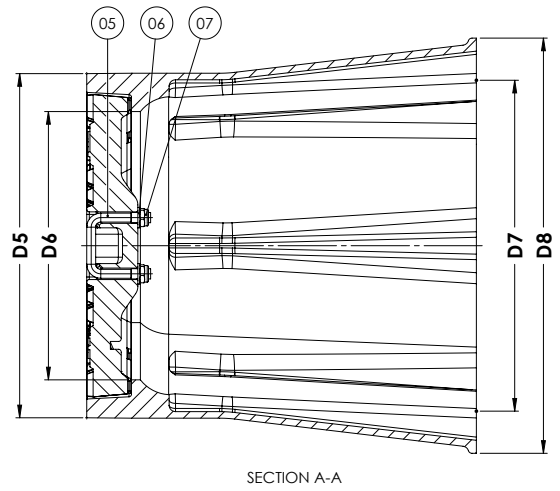
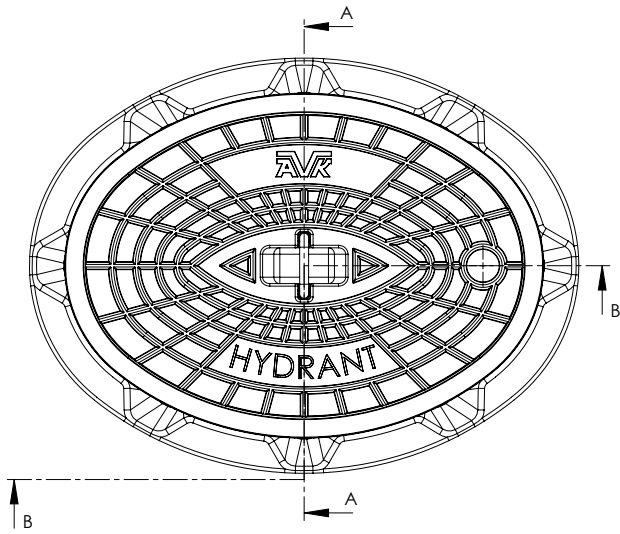
Accessories

- Support tile II



12.7 kg
CO2 eq.

Expect... **AVR**



Component list

1. Lid	PP 40%GF
2. Housing	PA+
3. Locking clip	PP
4. Notched bolt M12x130 hexagon head	A2-70
5. Crossbar	A2
6. Washer M8	A2
7. Prevailing torque nut M8	A2

Reference nos. and nominal dimensions

AVK ref. nos.	D1 mm	D2 mm	D3 mm	D4 mm	D5 mm	D6 mm	D7 mm	D8 mm	H mm
80-30-014XXXX	374	275	364	430	270	210	259	325	305
	Weight box in kg	Weight lid in kg	Total weight in kg						
	3.0	1.8	4.7						