



AVK SURFACE BOX H-4055V HD-GG

80/30
100



Height adjustable
Surface box for underground hydrants
Standard lid inscription: HYDRANT



Types

- H-4055V HD-GG
 - Oval cast iron lid
 - Oval top surface box



Features

- Lightweight, maintenance free and noiseless design
- 100% recyclable and less use of energy resources compared to traditional materials
- Ribs in housing ensure optimal fixation in road foundation
- Selected materials for housing and lid ensure easy opening at all times
- Various colours and lid inscriptions possible
- Available as lockable version making the surface box tamperproof
- Heat resistant to max. 250 °C
- Large height range and flexible positioning of top part
- No costly corrections after installation

Standards

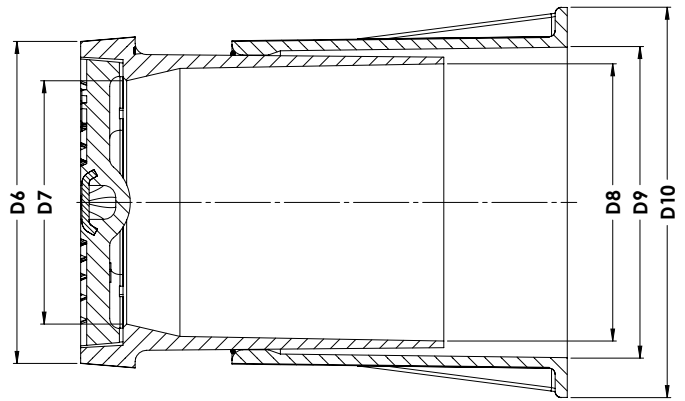
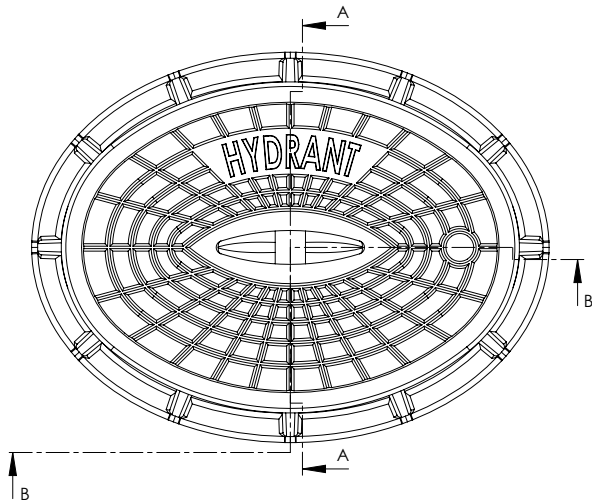
- Design according to DIN4055
- DVGW VP310-2, EN124 test method
- DVGW approval, certificate DW-6430BP0137

Accessories

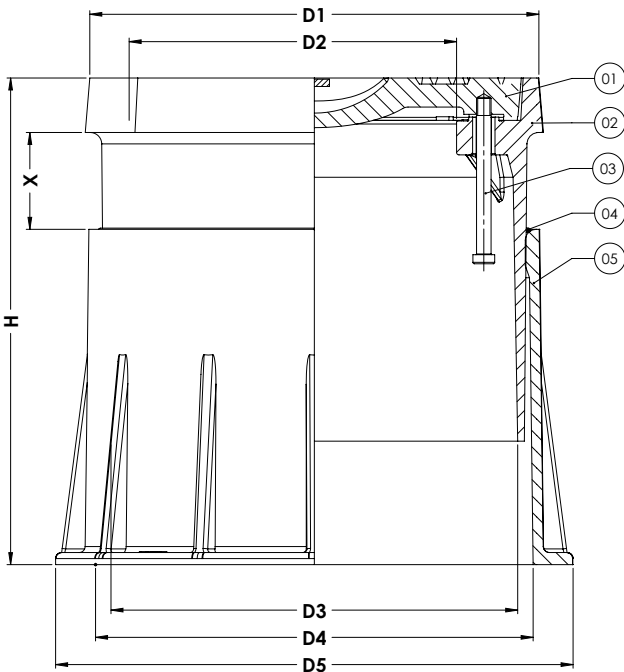
- Support tile II



Expect... **AVR**



SECTION A-A



SECTION B-B

Component list

1. Lid	EN-GJL-200
2. Housing top part	PA+
3. Bolt M12x130 hexagon socket head	A2-70
4. O-ring	EPDM
5. Housing bottom part	PA+

Reference nos. and nominal dimensions

AVK ref. nos.	D1 mm	D2 mm	D3 mm	D4 mm	D5 mm	D6 mm	D7 mm	D8 mm	D9 mm
80-30-100XXXX	371	271	336	362	428	266	201	229	258
	D10 mm	H mm	X mm	Weight box in kg	Weight lid in kg	Total weight in kg			
	323	400-535	80-215	6.3	11.0	17.3			