



AVK SURFACE BOX H-4055V MD-GG AIR VALVE

80/30
101

Height adjustable
Special model for air valves
Surface box for underground air valves
Standard lid inscription: AVK AIR VALVE

Types

- H-4055V MD-GG Air Valve
 - Oval cast iron lid
 - Oval top surface box

Features

- Lightweight, maintenance free and noiseless design
- 100% recyclable and less use of energy resources compared to traditional materials
- Ribs in housing ensure optimal fixation in road foundation
- Selected materials for housing and lid ensure easy opening at all times
- Various colours and lid inscriptions possible
- Available as lockable version making the surface box tamperproof
- Heat resistant to max. 250 °C
- Large height range and flexible positioning of top part
- No costly corrections after installation
- Locking clip around the bolt ensuring lid will stay in its place
- Large clear opening to grant access to air valve below
- Multiple holes in lid allow discharge and admittance of air
 - Discharge: max. 340m³/h
 - Admittance: max. 160m³/h
- Use of a Flexdrain around the air valve prevents dirt to block the in-/outlet, ensuring optimal operation

Standards

- Design derived from DIN4055
- DVGW VP310-2, EN124 test method

Accessories

- Support tile II

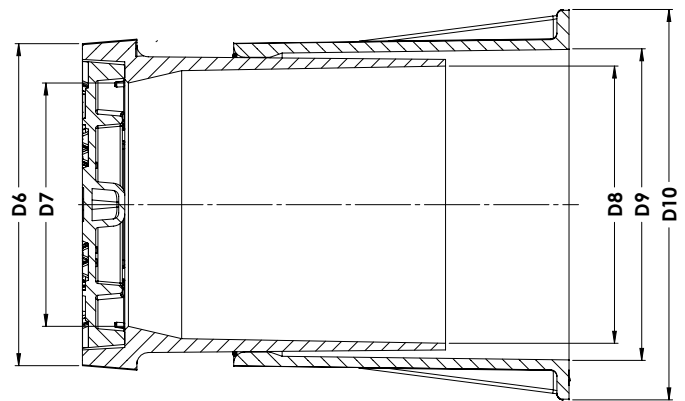
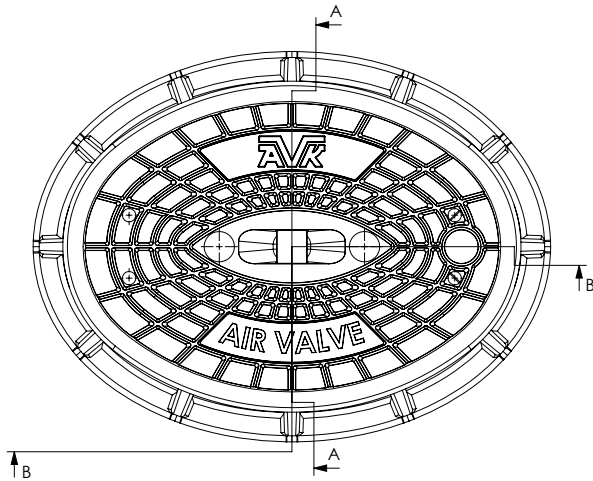


Top view

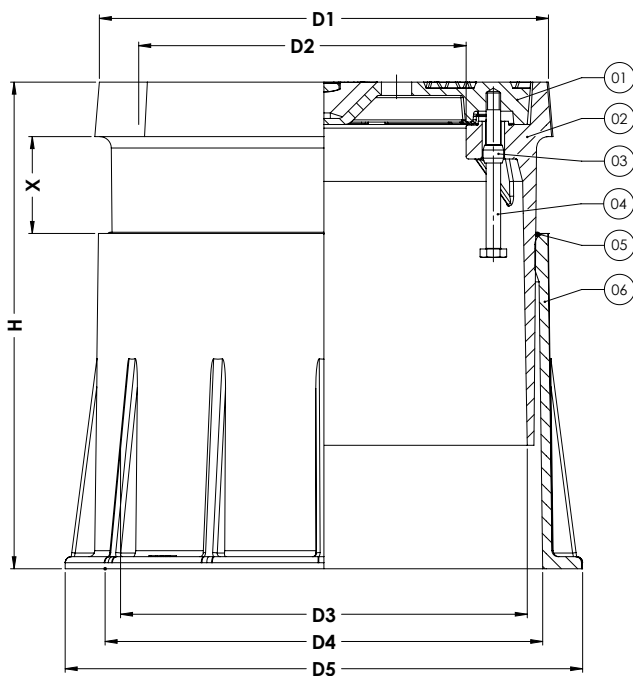


23.5 kg
CO₂ eq.

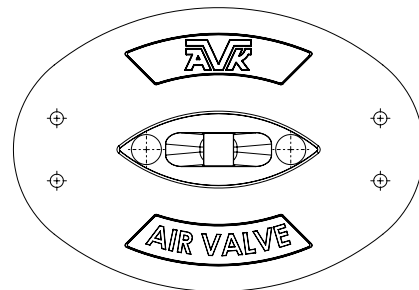
Expect... **AVR**



SECTION A-A



SECTION B-B



Total orifice: 1.362 mm²
 Max. discharge: 340m³/h
 Max. admittance: 160m³/h

Component list

1. Lid	EN-GJL-200
2. Housing top part	PA+
3. Locking clip	PP
4. Notched bolt M12x130 hexagon head	A2-70
5. O-ring	EPDM
6. Housing bottom part	PA+

Reference nos. and nominal dimensions

AVK ref. nos.	D1 mm	D2 mm	D3 mm	D4 mm	D5 mm	D6 mm	D7 mm	D8 mm	D9 mm	D10 mm	H mm	X mm	Weight box in kg	Weight lid in kg	Total weight in kg
80-30-1010001	371	271	362	428	201	266	257	323	336	229	400-535	80-215	7.0	7.0	14.0