



## AVK SURFACE BOX H-4055P HD-GG

80/30  
200



Fixed height  
Special model for pavement  
Surface box for underground hydrants  
Standard lid inscription: HYDRANT



### Types

- H-4055P HD-GG
  - Oval cast iron lid
  - Rectangular top surface box



### Features

- Lightweight, maintenance free and noiseless design
- 100% recyclable and less use of energy resources compared to traditional materials
- Ribs in housing ensure optimal fixation in road foundation
- Selected materials for housing and lid ensure easy opening at all times
- Various colours and lid inscriptions possible
- Available as lockable version making the surface box tamperproof
- Heat resistant to max. 250 °C
- Due to rectangular top ideal solution for pavement installation

### Standards

- Design derived from DIN4055
- DVGW VP310-2, EN124 test method

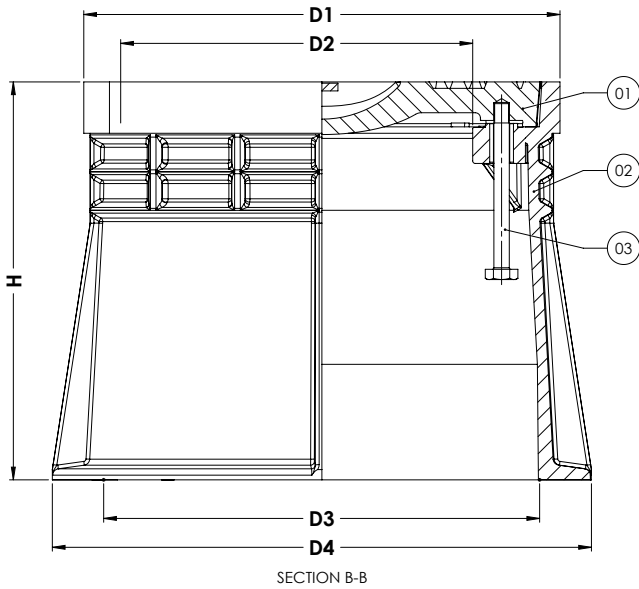
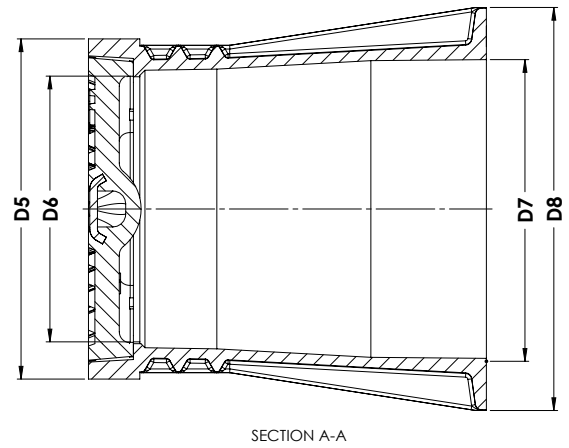
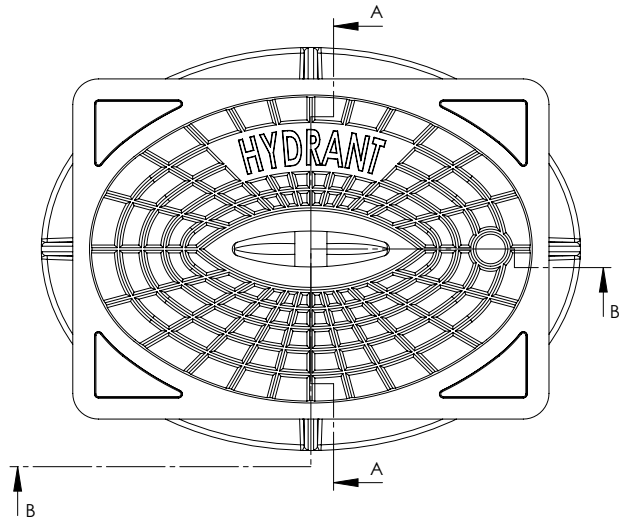
### Accessories

- Support tile II
- Top frame for hydrant



28.4 kg  
CO2 eq.

Expect... **AVR**



**Component list**

1. Lid	EN-GJL-200
2. Housing	PA+
3. Bolt M12x130 hexagon head	A2-70

**Reference nos. and nominal dimensions**

AVK ref. nos.	D1 mm	D2 mm	D3 mm	D4 mm	D5 mm	D6 mm	D7 mm	D8 mm	H mm
80-30-200XXXX	371	274	340	420	265	207	236	316	310
	Weight box in kg	Weight lid in kg	Total weight in kg						
	4.9	11.0	15.9						