



AVK SURFACE BOX H-4055P MD-KU

80/30
204



Fixed height
Special model for pavement
Surface box for underground hydrants
Standard lid inscription: AVK HYDRANT



Types

- H-4055P MD-KU
 - Oval synthetic lid
 - Rectangular top surface box



Features

- Lightweight, maintenance free and noiseless design
- 100% recyclable and less use of energy resources compared to traditional materials
- Ribs in housing ensure optimal fixation in road foundation
- Selected materials for housing and lid ensure easy opening at all times
- Various colours and lid inscriptions possible
- Heat resistant to max. 250 °C
- Available as lockable version making the surface box tamperproof
- Available with magnet for easy detectability
- Locking clip around the bolt ensuring lid will stay in its place
- Discourages thieves; no value in stealing
- Synthetic lid enables signal transmission
- Due to rectangular top ideal solution for pavement installation

Standards

- Design derived from DIN4055
- DVGW VP310-2, EN124 test method

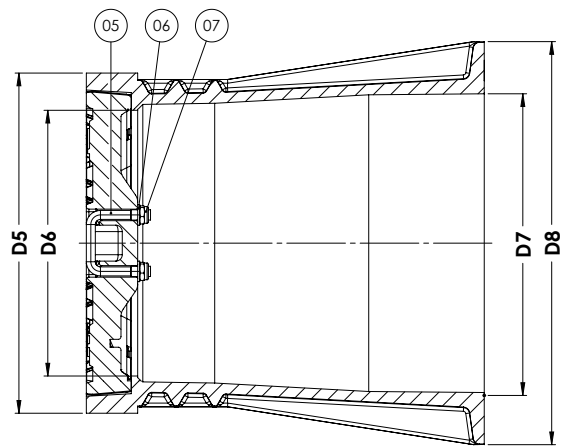
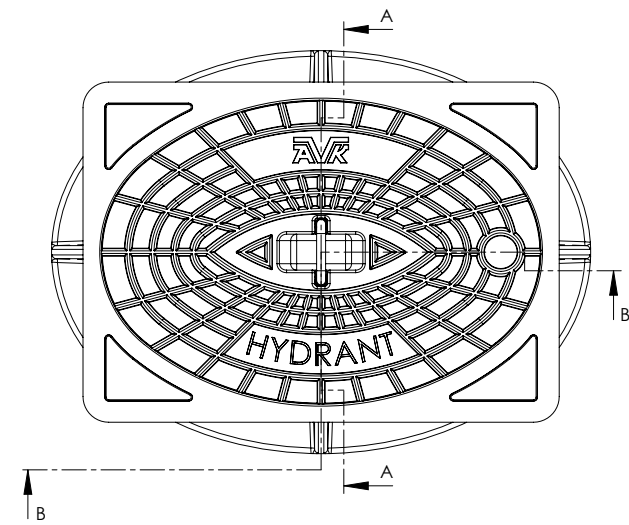
Accessories

- Support tile II
- Top frame for hydrant

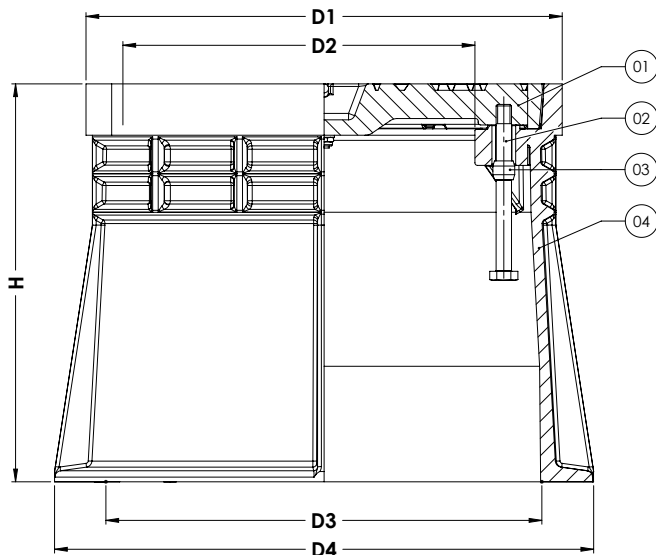


15.8 kg
CO2 eq.

Expect... **AVR**



SECTION A-A



SECTION B-B

Component list

1. Lid	PP 40%GF
2. Notched bolt M12x130 hexagon head	A2-70
3. Locking clip	PP
4. Housing	PA+
5. Crossbar	A2
6. Washer M8	A2
7. Prevailing torque nut M8	A2

Reference nos. and nominal dimensions

AVK ref. nos.	D1 mm	D2 mm	D3 mm	D4 mm	D5 mm	D6 mm	D7 mm	D8 mm	H mm
80-30-204XXXX	371	274	340	420	265	207	235	314	310
	Weight box in kg	Weight lid in kg	Total weight in kg						
	4.9	1.8	6.6						