



## AVK SURFACE BOX M-4055P MD-KU

80/30  
214

Fixed height  
Special model for pavement  
Surface box for underground hydrants  
Standard lid inscription: AVK HYDRANT

### Types

- M-4055P MD-KU
  - Oval synthetic lid
  - Rectangular top surface box

### Features

- Lightweight, maintenance free and noiseless design
- 100% recyclable and less use of energy resources compared to traditional materials
- Ribs in housing ensure optimal fixation in road foundation
- Selected materials for housing and lid ensure easy opening at all times
- Various colours and lid inscriptions possible
- Heat resistant to max. 250 °C
- Available as lockable version making the surface box tamperproof
- Available with magnet for easy detectability
- Locking clip around the bolt ensuring lid will stay in its place
- Discourages thieves; no value in stealing
- Synthetic lid enables signal transmission
- Due to rectangular top ideal solution for pavement installation

### Standards

- Design derived from DIN4055
- DVGW VP310-2, EN124 test method

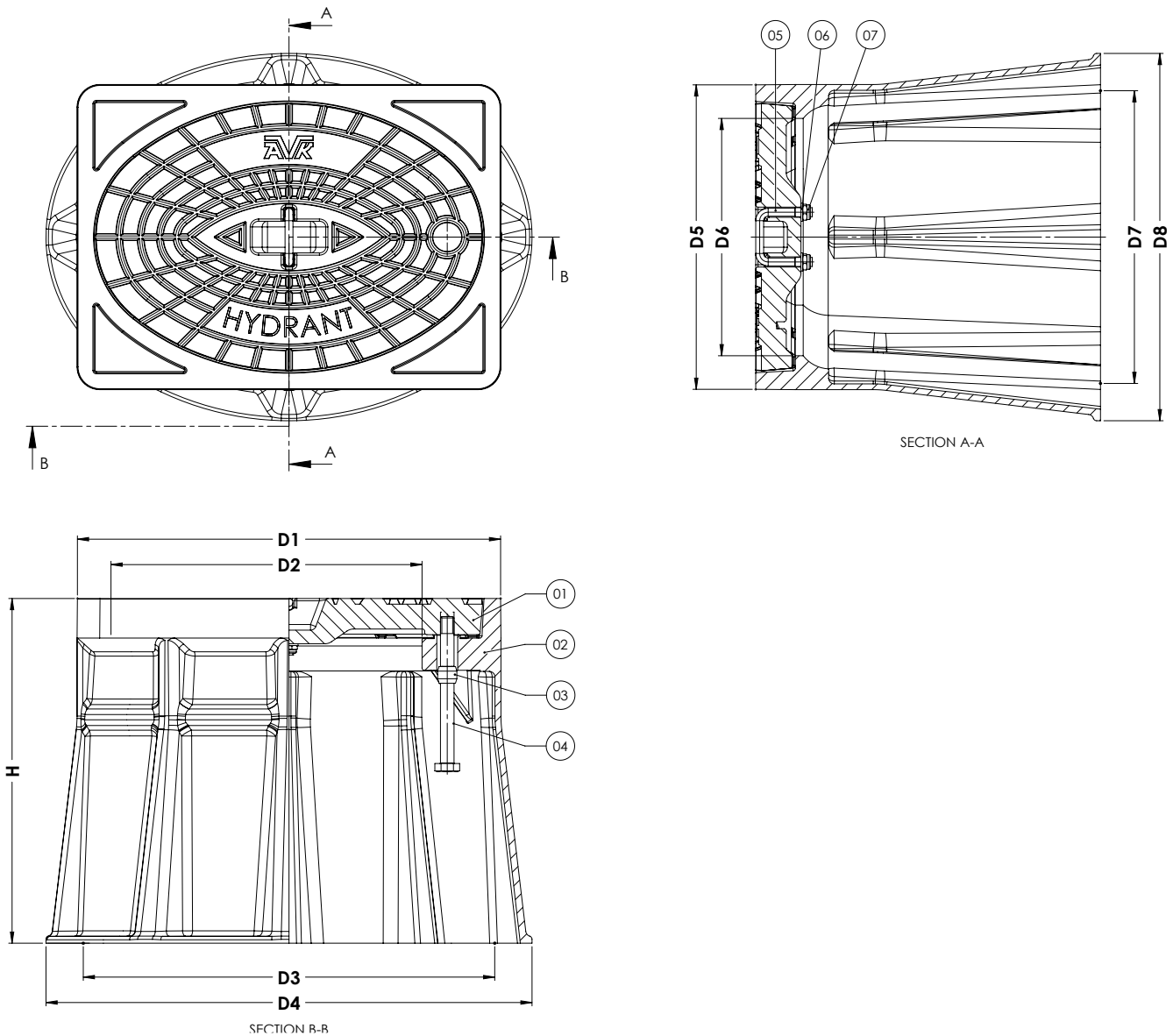
### Accessories

- Support tile II
- Top frame for hydrant



14.0 kg  
CO2 eq.

Expect... **AVR**



**Component list**

1. Lid	PP 40%GF
2. Housing	PA+
3. Locking clip	PP
4. Notched bolt M12x130 hexagon head	A2-70
5. Crossbar	A2
6. Washer M8	A2
7. Prevailing torque nut M8	A2

**Reference nos. and nominal dimensions**

AVK ref. nos.	D1 mm	D2 mm	D3 mm	D4 mm	D5 mm	D6 mm	D7 mm	D8 mm	H mm
80-30-214XXXX	374	275	364	430	270	210	259	325	305
	Weight box in kg	Weight lid in kg	Total weight in kg						
	3.9	1.8	5.6						