



## AVK SURFACE BOX H-4056 HD-GG

80/31  
000



Fixed height  
Surface box for distribution valves  
Standard lid inscription: W



### Types

- H-4056 HD-GG
  - Round cast iron lid
  - Round top surface box



### Features

- Lightweight, maintenance free and noiseless design
- 100% recyclable and less use of energy resources compared to traditional materials
- Ribs in housing ensure optimal fixation in road foundation
- Selected materials for housing and lid ensure easy opening at all times
- Various colours and lid inscriptions possible
- Available as lockable version making the surface box tamperproof
- Heat resistant to max. 250 °C

### Standards

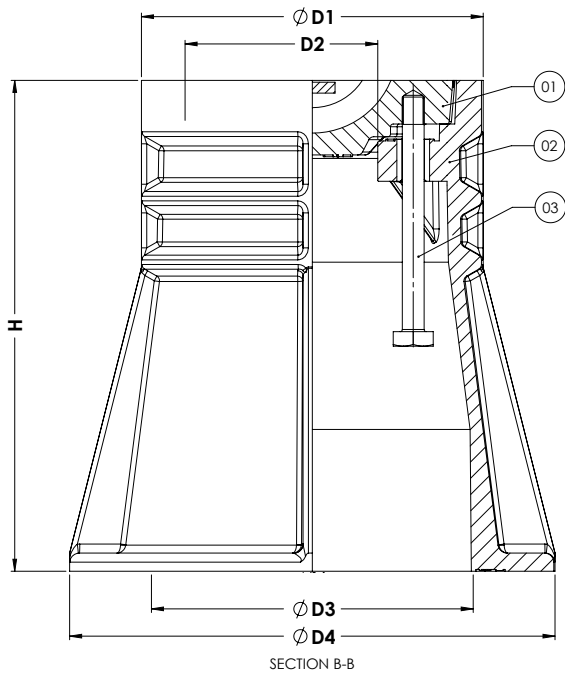
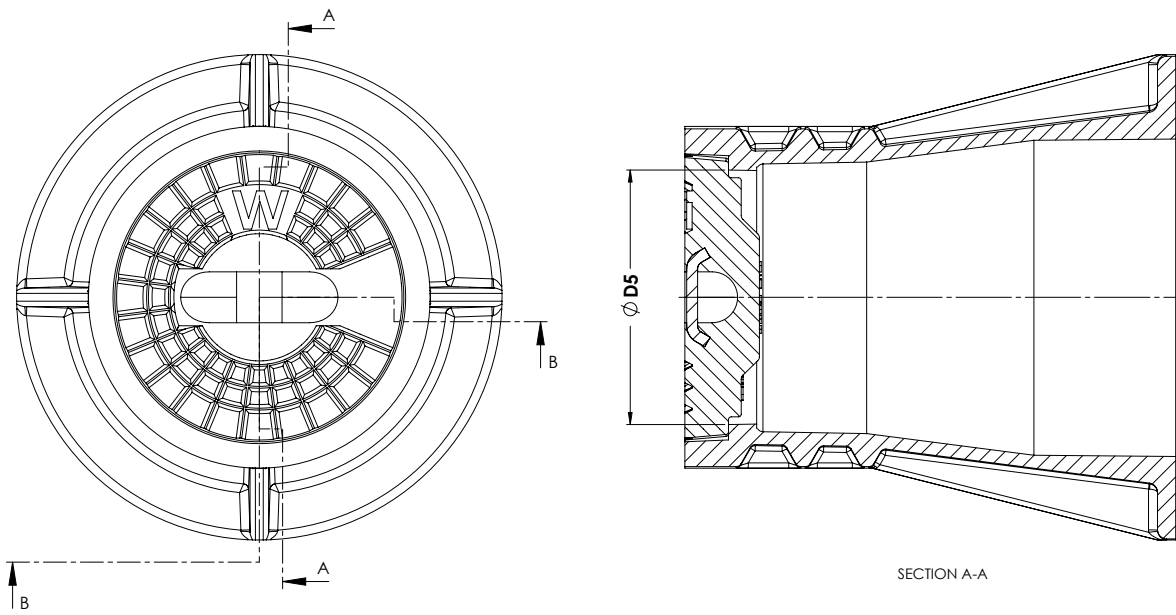
- Design according to DIN4056
- DVGW VP310-2, EN124 test method
- DVGW approval, certificate DW-6430BP0140

### Accessories

- Support tile I
- Torque Adaptor I & II-A



Expect... **AVR**



**Component list**

1. Lid	EN-GJL-200
2. Housing	PA+
3. Bolt M12x130 hexagon head	A2-70

**Reference nos. and nominal dimensions**

AVK ref. nos.	D1 mm	D2 mm	D3 mm	D4 mm	D5 mm	H mm	Weight box in kg	Weight lid in kg	Total weight in kg
80-31-000XXXX	188	106	177	267	140	270	2.1	3.9	6.0