



## AVK SURFACE BOX H-4056 MD-KU

80/31  
004

Fixed height  
Surface box for distribution valves  
Standard lid inscription: AVK W

### Types

- H-4056 MD-KU
  - Round synthetic lid
  - Round top surface box

### Features

- Lightweight, maintenance free and noiseless design
- 100% recyclable and less use of energy resources compared to traditional materials
- Ribs in housing ensure optimal fixation in road foundation
- Selected materials for housing and lid ensure easy opening at all times
- Various colours and lid inscriptions possible
- Heat resistant to max. 250 °C
- Available as lockable version making the surface box tamperproof
- Available with magnet for easy detectability
- Locking clip around the bolt ensuring lid will stay in its place
- Discourages thieves; no value in stealing
- Synthetic lid enables signal transmission

### Standards

- Design derived from DIN4056
- DVGW VP310-2, EN124 test method

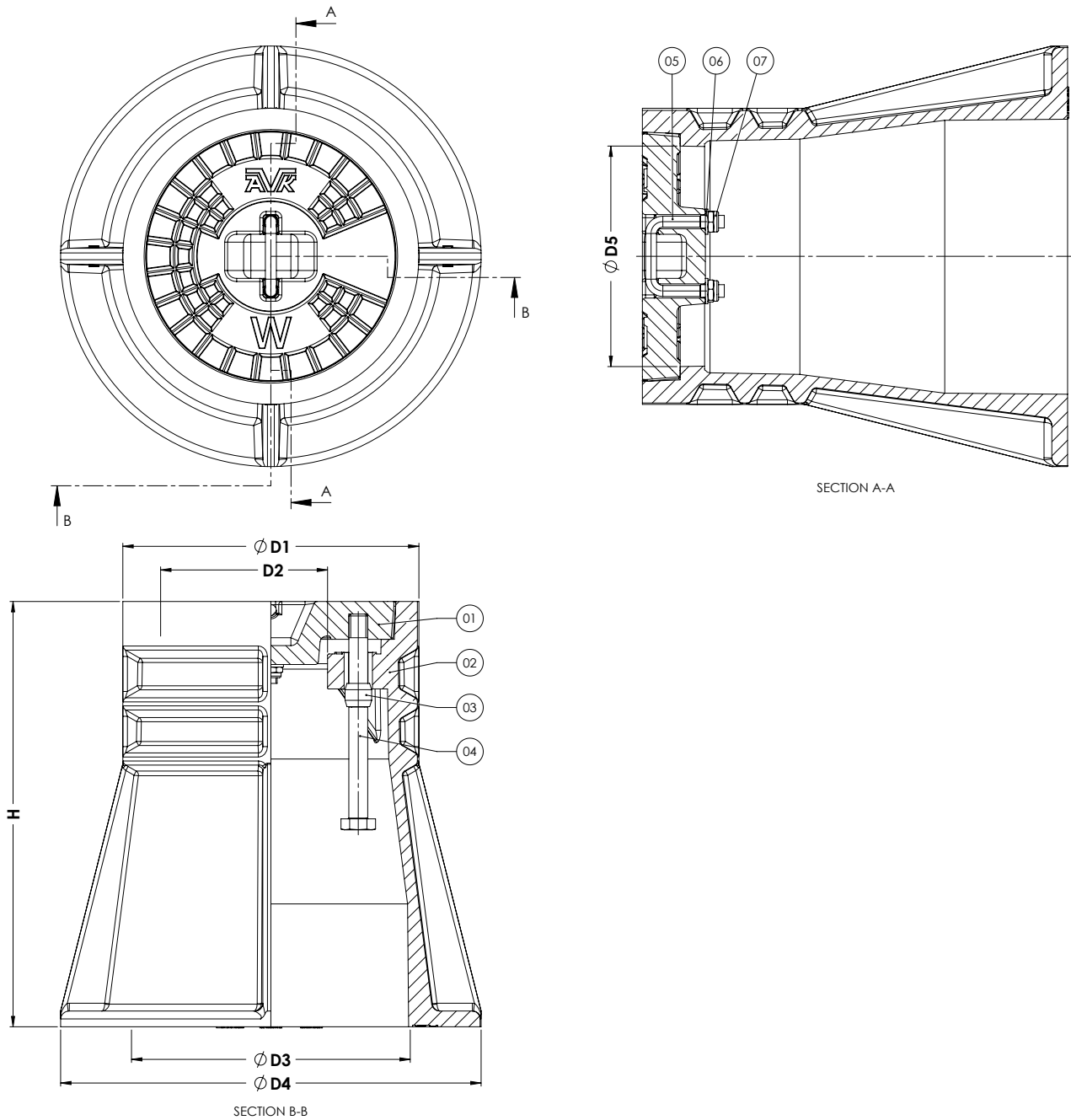
### Accessories

- Support tile I
- Torque Adaptor I & II-A



6.5 kg  
CO2 eq.

Expect... **AVR**



**Component list**

|                                      |          |
|--------------------------------------|----------|
| 1. Lid                               | PP 40%GF |
| 2. Housing                           | PA+      |
| 3. Locking clip                      | PP       |
| 4. Notched bolt M12x130 hexagon head | A2-70    |
| 5. Crossbar                          | A2       |
| 6. Washer M8                         | A2       |
| 7. Prevailing torque nut M8          | A2       |

**Reference nos. and nominal dimensions**

| AVK ref. nos. | D1<br>mm | D2<br>mm | D3<br>mm | D4<br>mm | D5<br>mm | H<br>mm | Weight box<br>in kg | Weight lid<br>in kg | Total weight<br>in kg |
|---------------|----------|----------|----------|----------|----------|---------|---------------------|---------------------|-----------------------|
| 80-31-004XXXX | 188      | 106      | 177      | 267      | 140      | 270     | 2.1                 | 0.6                 | 2.6                   |