



## AVK SURFACE BOX M-4056 MD-GG

80/31  
011



Fixed height  
Surface box for distribution valves  
Standard lid inscription: AVK W



### Types

- M-4056 MD-GG
  - Round cast iron lid
  - Round top surface box



### Features

- Lightweight, maintenance free and noiseless design
- 100% recyclable and less use of energy resources compared to traditional materials
- Ribs in housing ensure optimal fixation in road foundation
- Selected materials for housing and lid ensure easy opening at all times
- Various colours and lid inscriptions possible
- Available as lockable version making the surface box tamperproof
- Heat resistant to max. 250 °C
- Locking clip around the bolt ensuring lid will stay in its place

### Standards

- Design derived from DIN4056
- DVGW VP310-2, EN124 test method

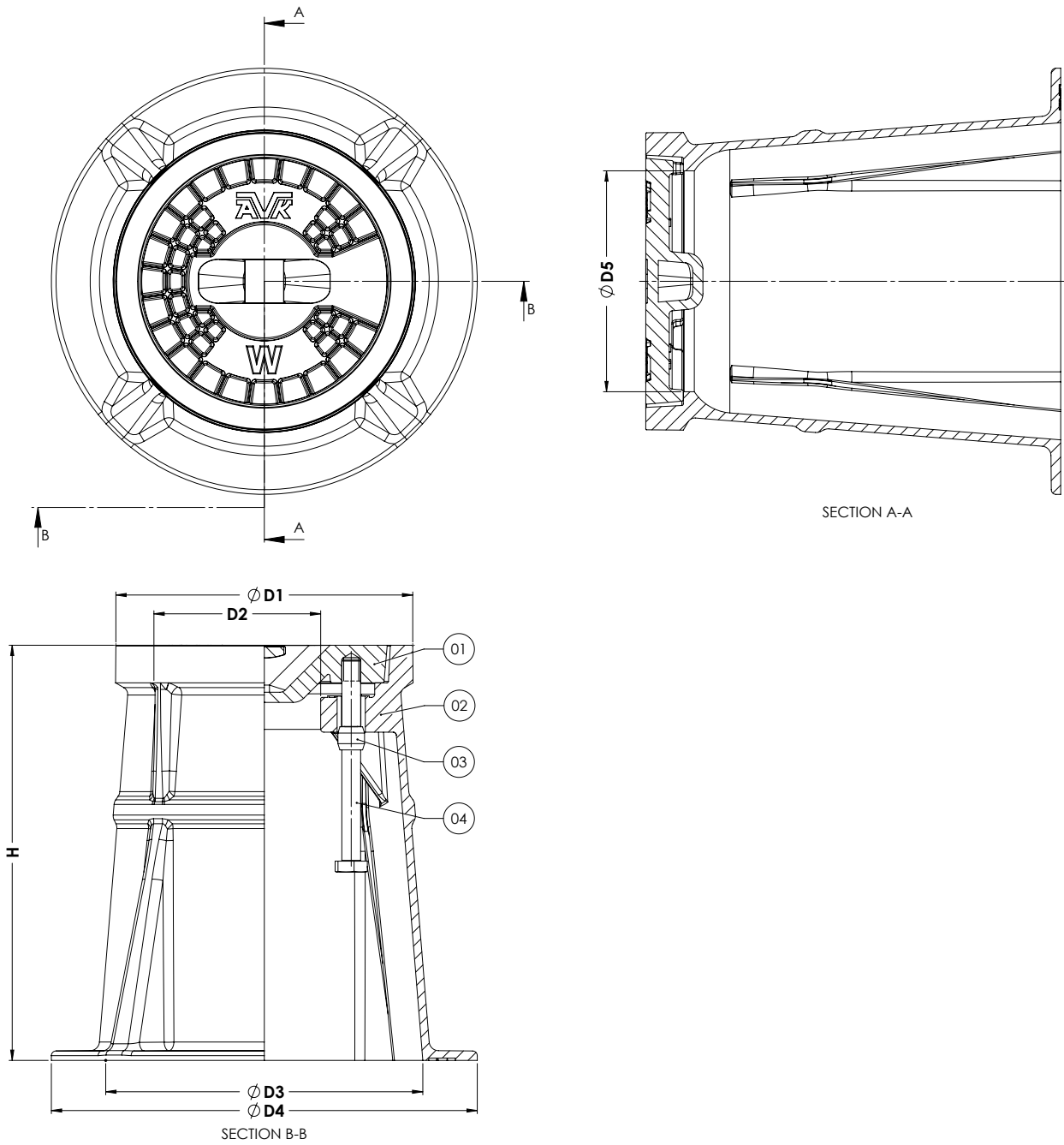
### Accessories

- Support tile I



7.4 kg  
CO2 eq.

Expect... **AVR**



**Component list**

1. Lid	EN-GJL-200
2. Housing	PA+
3. Locking clip	PP
4. Notched bolt M12x130 hexagon head	A2-70

**Reference nos. and nominal dimensions**

AVK ref. nos.	D1 mm	D2 mm	D3 mm	D4 mm	D5 mm	H mm	Weight box in kg	Weight lid in kg	Total weight in kg
80-31-011XXXX	190	106	203	272	141	265	1.4	2.4	3.8