



AVK SURFACE BOX H-4056V HD-GG

80/31
100

Height adjustable
Surface box for distribution valves
Standard lid inscription: W

Types

- H-4056V HD-GG
 - Round cast iron lid
 - Round top surface box

Features

- Lightweight, maintenance free and noiseless design
- 100% recyclable and less use of energy resources compared to traditional materials
- Ribs in housing ensure optimal fixation in road foundation
- Selected materials for housing and lid ensure easy opening at all times
- Various colours and lid inscriptions possible
- Available as lockable version making the surface box tamperproof
- Heat resistant to max. 250 °C
- Large height range and flexible positioning of top part
- Inscription in lid to be positioned easily
- No costly corrections after installation

Standards

- Design according to DIN4056
- DVGW VP310-2, EN124 test method
- DVGW approval, certificate DW-6430BP0142

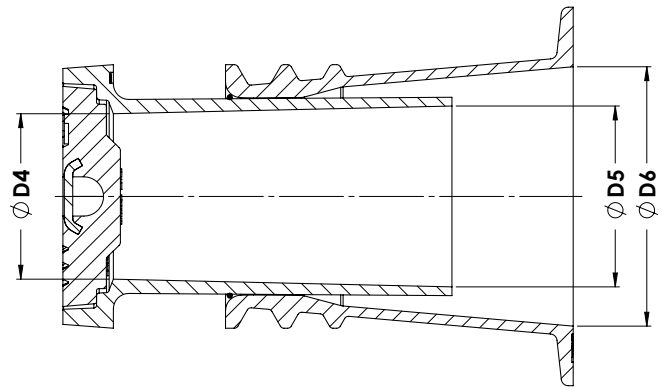
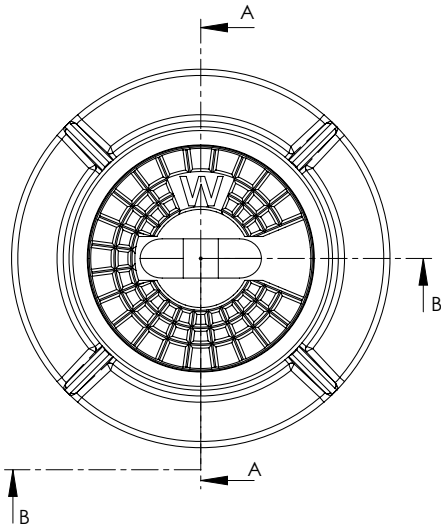
Accessories

- Support tile I
- Torque Adaptor I & II-A

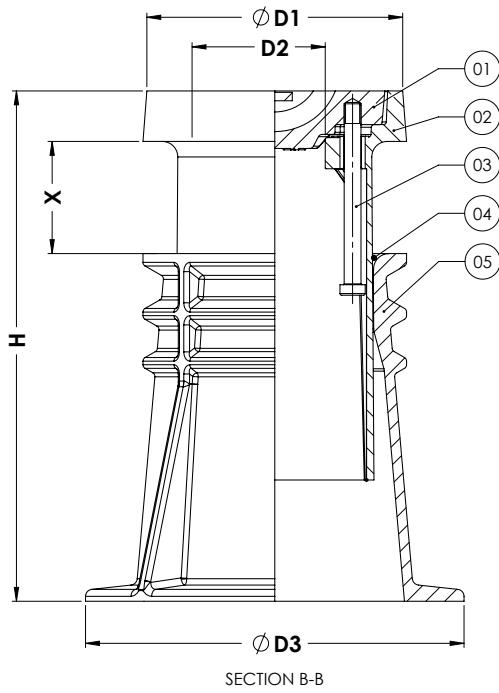


12.6 kg
CO2 eq.

Expect... **AVR**



SECTION A-A



SECTION B-B

Component list

| | |
|-------------------------------------|------------|
| 1. Lid | EN-GJL-200 |
| 2. Housing top part | PA+ |
| 3. Bolt M12x130 hexagon socket head | A2-70 |
| 4. O-ring | EPDM |
| 5. Housing bottom part | PA+ |

Reference nos. and nominal dimensions

| AVK ref. nos. | D1 mm | D2 mm | D3 mm | D4 mm | D5 mm | D6 mm | H mm | X mm |
|---------------|------------------|------------------|--------------------|-------|-------|-------|---------|--------|
| 80-31-100XXXX | 182 | 95 | 270 | 118 | 129 | 185 | 365-485 | 80-200 |
| | Weight box in kg | Weight lid in kg | Total weight in kg | | | | | |
| | 3.1 | 3.9 | 6.9 | | | | | |