



## AVK SURFACE BOX H-4057 HD-GG

80/32  
000



Fixed height  
Surface box for service connection valves  
Standard lid inscription: W



### Types

- H-4057 HD-GG
  - Round cast iron lid
  - Round top surface box



### Features

- Lightweight, maintenance free and noiseless design
- 100% recyclable and less use of energy resources compared to traditional materials
- Ribs in housing ensure optimal fixation in road foundation
- Selected materials for housing and lid ensure easy opening at all times
- Various colours and lid inscriptions possible
- Available as lockable version making the surface box tamperproof
- Heat resistant to max. 250 °C

### Standards

- Design according to DIN4057
- DVGW VP310-2, EN124 test method
- DVGW approval, certificate DW-6430BP0141

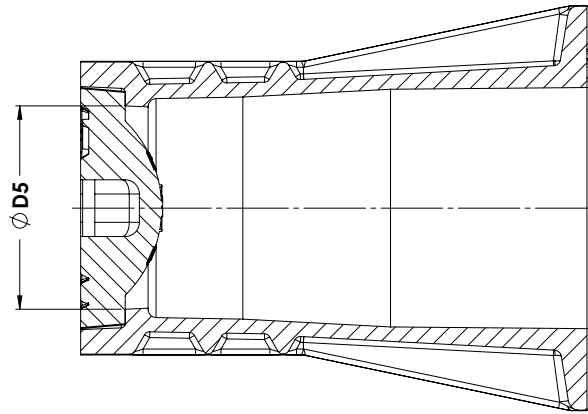
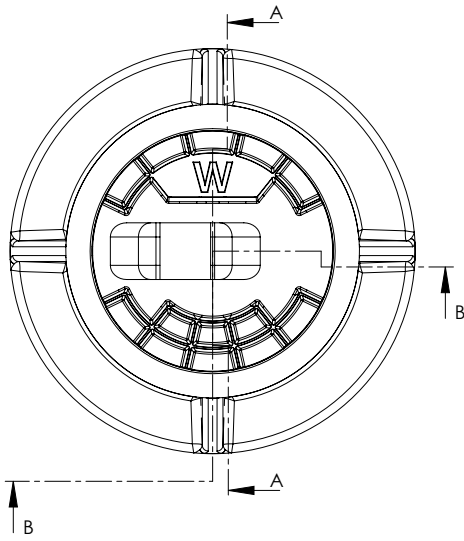
### Accessories

- Support tile I

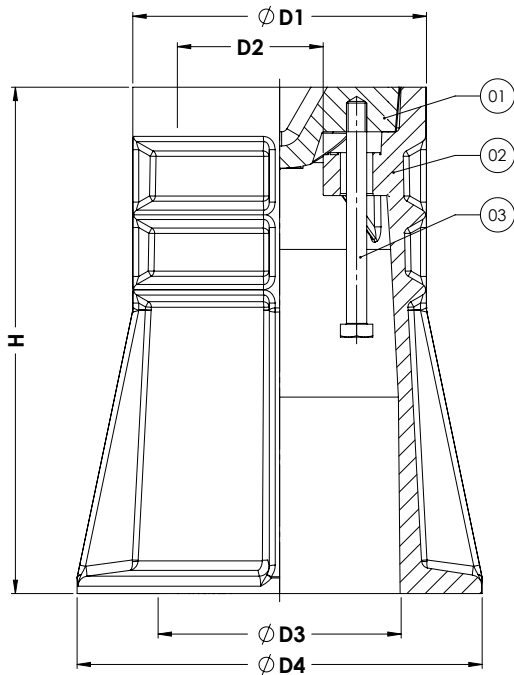


5.7 kg  
CO2 eq.

Expect... **AVR**



SECTION A-A



SECTION B-B

**Component list**

1. Lid	EN-GJL-250
2. Housing	PA+
3. Bolt M10x110 hexagon head	A2-70

**Reference nos. and nominal dimensions**

AVK ref. nos.	D1 mm	D2 mm	D3 mm	D4 mm	D5 mm	H mm	Weight box in kg	Weight lid in kg	Total weight in kg
80-32-000XXXX	145	72	120	200	100	250	1.3	1.8	3.1