



AVK SURFACE BOX H-4057V HD-GG

80/32
100

Height adjustable
Surface box for service connection valves
Standard lid inscription: W

Types

- H-4057V HD-GG
 - Round cast iron lid
 - Round top surface box

Features

- Lightweight, maintenance free and noiseless design
- 100% recyclable and less use of energy resources compared to traditional materials
- Ribs in housing ensure optimal fixation in road foundation
- Selected materials for housing and lid ensure easy opening at all times
- Various colours and lid inscriptions possible
- Available as lockable version making the surface box tamperproof
- Heat resistant to max. 250 °C
- Large height range and flexible positioning of top part
- Inscription in lid to be positioned easily
- No costly corrections after installation

Standards

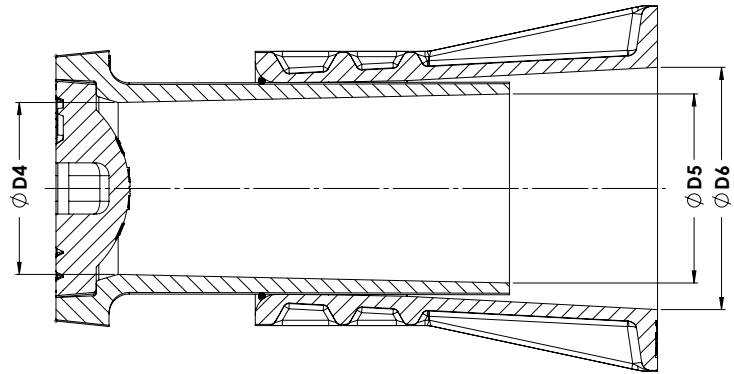
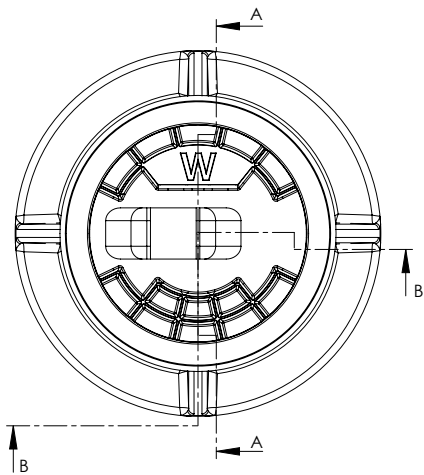
- Design according to DIN4057
- DVGW VP310-2, EN124 test method
- DVGW approval, certificate DW-6430BP0143

Accessories

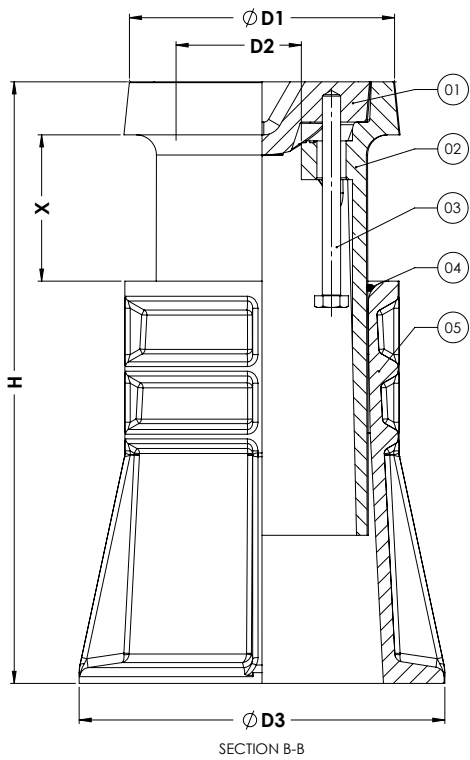
- Support tile I



Expect... **AVR**



SECTION A-A



SECTION B-B

Component list

1. Lid	EN-GJL-250
2. Housing top part	PA+
3. Bolt M10x110 hexagon head	A2-70
4. O-ring	EPDM
5. Housing bottom part	PA+

Reference nos. and nominal dimensions

AVK ref. nos.	D1 mm	D2 mm	D3 mm	D4 mm	D5 mm	D6 mm	H mm	X mm
80-32-100XXX	145	68	200	94	103	132	330-430	80-180
	Weight box in kg	Weight lid in kg	Total weight in kg					
	2.0	1.8	3.8					