



AVK SURFACE BOX M-4057P MD-GG

80/32
211



Fixed height
Special model for pavement
Surface box for service connection valves
Standard lid inscription: AVK W



Types

- M-4057P MD-GG
 - Round cast iron lid
 - Square top surface box



Features

- Lightweight, maintenance free and noiseless design
- 100% recyclable and less use of energy resources compared to traditional materials
- Ribs in housing ensure optimal fixation in road foundation
- Selected materials for housing and lid ensure easy opening at all times
- Various colours and lid inscriptions possible
- Available as lockable version making the surface box tamperproof
- Heat resistant to max. 250 °C
- Locking clip around the bolt ensuring lid will stay in its place
- Due to rectangular top ideal solution for pavement installation

Standards

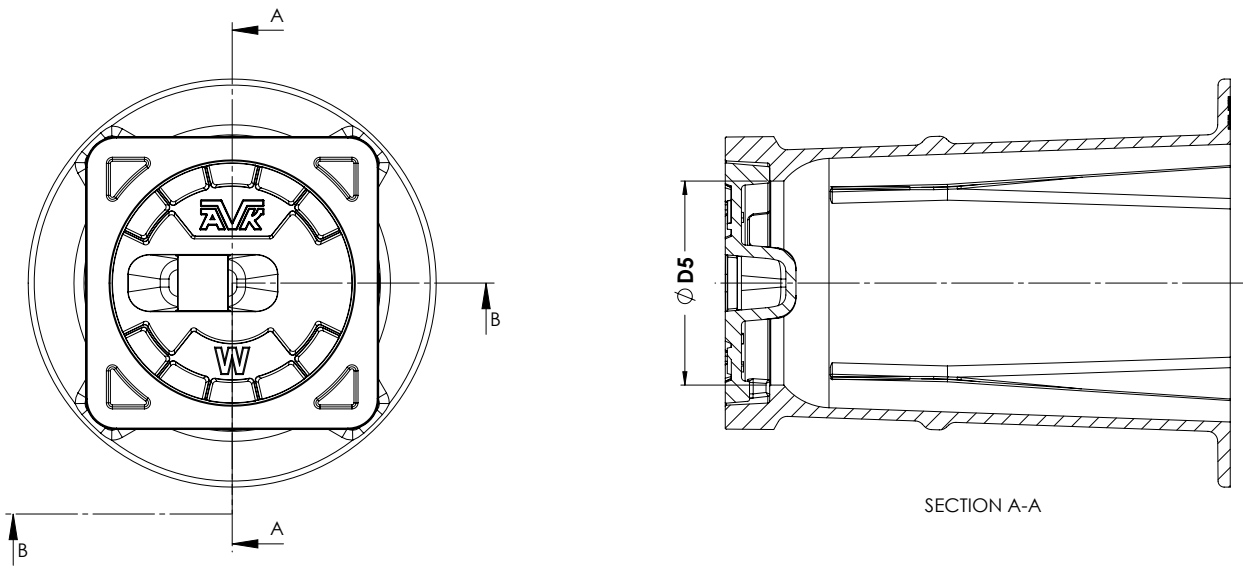
- Design derived from DIN4057
- DVGW VP310-2, EN124 test method

Accessories

- Support tile I
- Top frame for service connection valve



Expect... **AVR**



Component list

1. Lid	EN-GJL-200
2. Housing	PA+
3. Locking clip	PP
4. Notched bolt M12x130 hexagon head	A2-70

Reference nos. and nominal dimensions

AVK ref. nos.	D1 mm	D2 mm	D3 mm	D4 mm	D5 mm	H mm	Weight box in kg	Weight lid in kg	Total weight in kg
80-32-2110XXX	144	72	137	202	101	250	1.0	1.1	2.2