



## AVK SURFACE BOX H-4057VB HD-GG

80/32  
400

Height adjustable with reinforced rim  
Surface box for service connection valves  
Standard lid inscription: W

### Types

- H-4057VB HD-GG
  - Round cast iron lid
  - Round top surface box

### Features

- Lightweight, maintenance free and noiseless design
- 100% recyclable and less use of energy resources compared to traditional materials
- Ribs in housing ensure optimal fixation in road foundation
- Selected materials for housing and lid ensure easy opening at all times
- Various colours and lid inscriptions possible
- Available as lockable version making the surface box tamperproof
- Heat resistant to max. 250 °C
- Large height range and flexible positioning of top part
- Inscription in lid to be positioned easily
- No costly corrections after installation
- Design registered by AVK
- Reinforced rim ensures better support of top part
- Strong rim makes product suitable for heavy duty application areas

### Standards

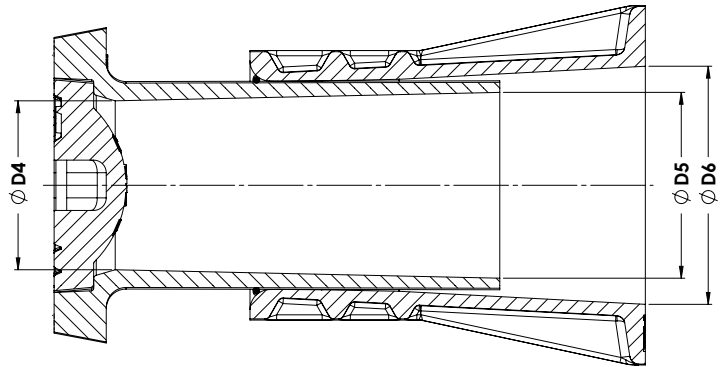
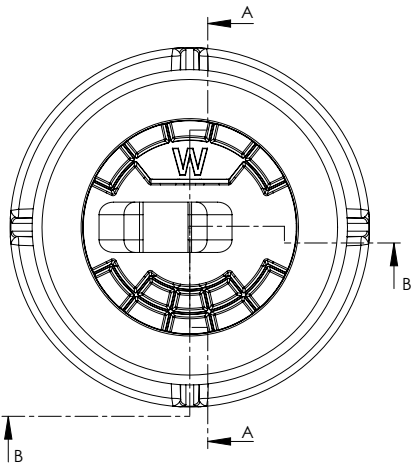
- Design derived from DIN4057
- DVGW VP310-2, EN124 test method

### Accessories

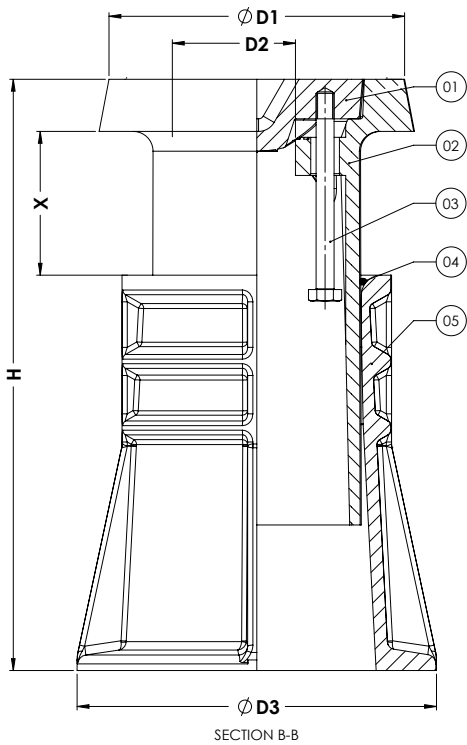
- Support tile I



Expect... **AVR**



SECTION A-A



SECTION B-B

**Component list**

1. Lid	EN-GJL-250
2. Housing top part	PA+
3. Bolt M10x110 hexagon head	A2-70
4. O-ring	EPDM
5. Housing bottom part	PA+

**Reference nos. and nominal dimensions**

AVK ref. nos.	D1 mm	D2 mm	D3 mm	D4 mm	D5 mm	D6 mm	H mm	X mm
80-32-400XXXX	165	68	200	94	103	132	330-430	80-180
	Weight box in kg	Weight lid in kg	Total weight in kg					
	2.2	1.8	4.0					