



## AVK SURFACE BOX H-4059 HD-GG

80/33  
000

Fixed height  
Surface box for service connection valves  
Standard lid inscription: GAS

### Types

- H-4059 HD-GG
  - Square cast iron lid
  - Square top surface box

### Features

- Lightweight, maintenance free and noiseless design
- 100% recyclable and less use of energy resources compared to traditional materials
- Ribs in housing ensure optimal fixation in road foundation
- Selected materials for housing and lid ensure easy opening at all times
- Various colours and lid inscriptions possible
- Available as lockable version making the surface box tamperproof
- Heat resistant to max. 250 °C

### Standards

- Design derived from DIN4059
- DVGW VP310-2, EN124 test method

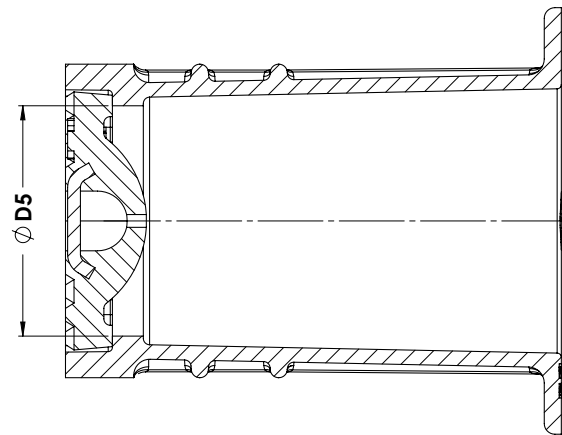
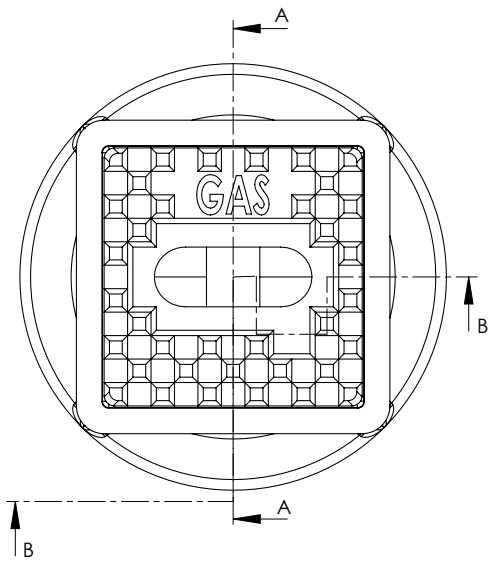
### Accessories

- Support tile I

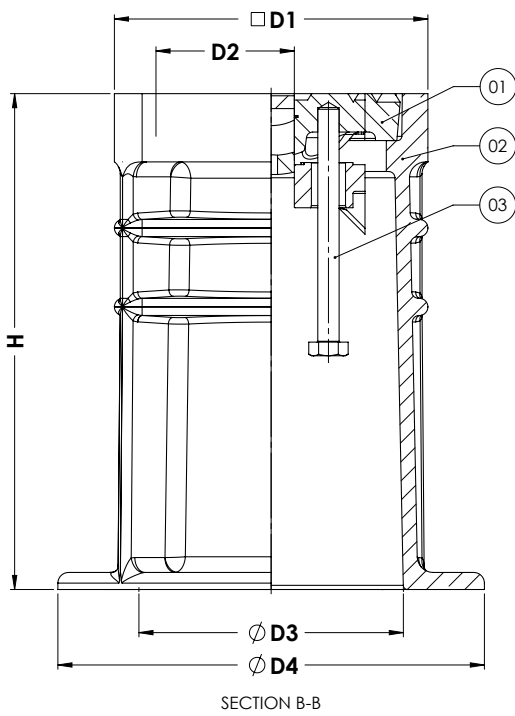


6.2 kg  
CO2 eq.

Expect... **AVR**



SECTION A-A



SECTION B-B

**Component list**

1. Lid	EN-GJL-200
2. Housing	PA+
3. Bolt M10x110 hexagon head	A2-70

**Reference nos. and nominal dimensions**

AVK ref. nos.	D1 mm	D2 mm	D3 mm	D4 mm	D5 mm	H mm	Weight box in kg	Weight lid in kg	Total weight in kg
80-33-000XXXX	147	75	124	200	108	232	1.3	1.9	3.2