



## AVK SURFACE BOX H-4059V HD-GG

80/33  
100

Height adjustable  
Surface box for service connection valves  
Standard lid inscription: GAS with symbol "-" / "+" / "□"

### Types

- H-4059V HD-GG
  - Square cast iron lid
  - Square top surface box

### Features

- Lightweight, maintenance free and noiseless design
- 100% recyclable and less use of energy resources compared to traditional materials
- Ribs in housing ensure optimal fixation in road foundation
- Selected materials for housing and lid ensure easy opening at all times
- Various colours and lid inscriptions possible
- Available as lockable version making the surface box tamperproof
- Heat resistant to max. 250 °C
- Large height range and flexible positioning of top part
- Inscription in lid to be positioned easily
- No costly corrections after installation

### Standards

- Design derived from DIN4059
- DVGW VP310-2, EN124 test method

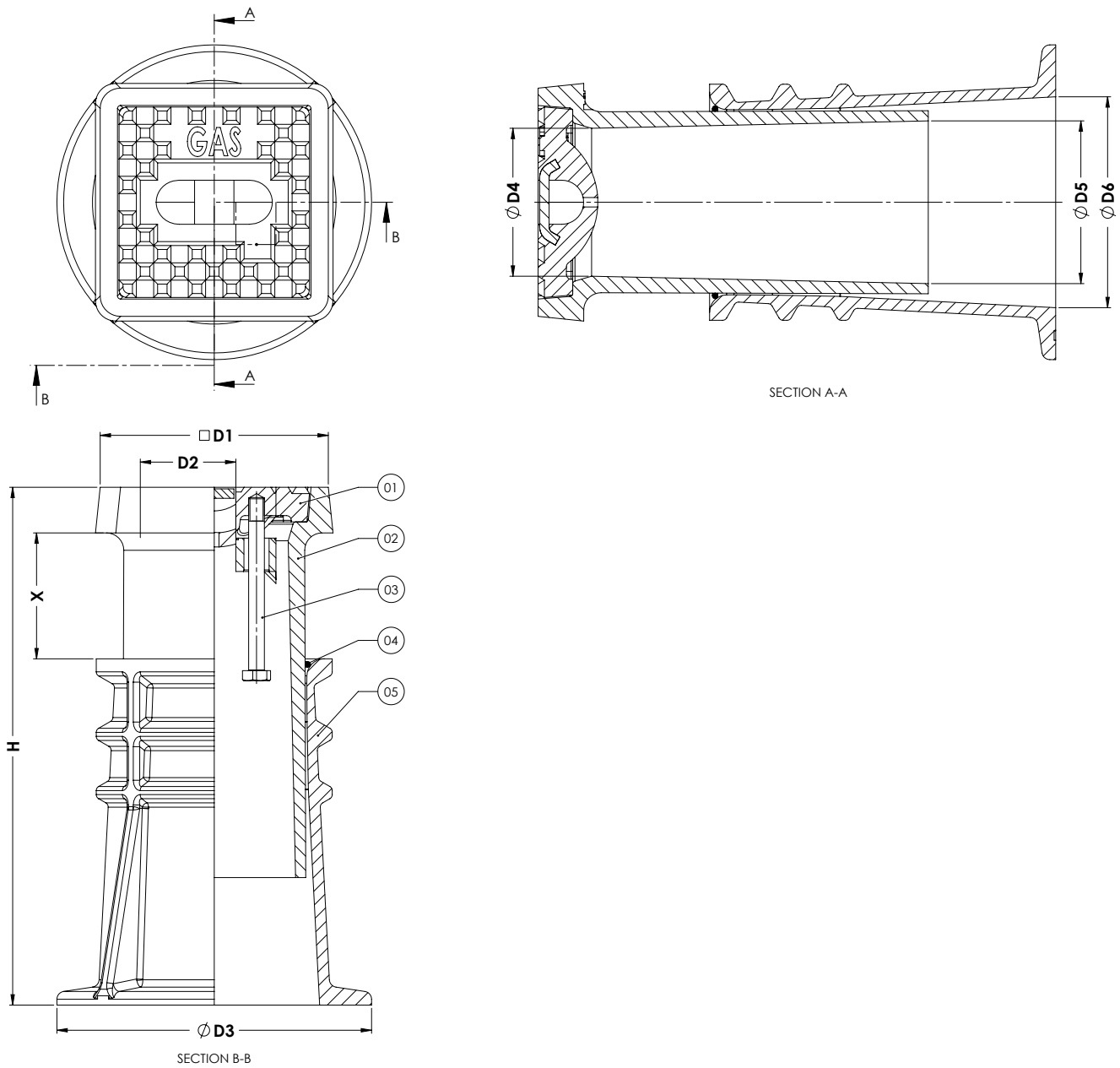
### Accessories

- Support tile I



7.3 kg  
CO2 eq.

Expect... **AVR**



**Component list**

1. Lid	EN-GJL-200
2. Housing top part	PA+
3. Bolt M10x110 hexagon head	A2-70
4. O-ring	EPDM
5. Housing bottom part	PA+

**Reference nos. and nominal dimensions**

AVK ref. nos.	D1 mm	D2 mm	D3 mm	D4 mm	D5 mm	D6 mm	H mm	X mm
80-33-100XXXX	145	68	200	94	103	134	330-430	80-180
	Weight box in kg	Weight lid in kg	Total weight in kg					
	2.1	1.9	4.0					