



AVK SURFACE BOX H-3582VB HD-GG

80/35
400

Height adjustable with reinforced rim
Surface box for distribution valves and district heating
Standard lid inscription: GAS

Types

- H-3582VB HD-GG
 - Square cast iron lid
 - Square top surface box

Features

- Lightweight, maintenance free and noiseless design
- 100% recyclable and less use of energy resources compared to traditional materials
- Ribs in housing ensure optimal fixation in road foundation
- Selected materials for housing and lid ensure easy opening at all times
- Various colours and lid inscriptions possible
- Available as lockable version making the surface box tamperproof
- Heat resistant to max. 250 °C
- Large height range and flexible positioning of top part
- No costly corrections after installation
- Design registered by AVK
- Reinforced rim ensures better support of top part
- Strong rim makes product suitable for heavy duty application areas

Standards

- Design derived from DIN3582
- DVGW VP310-2, EN124 test method

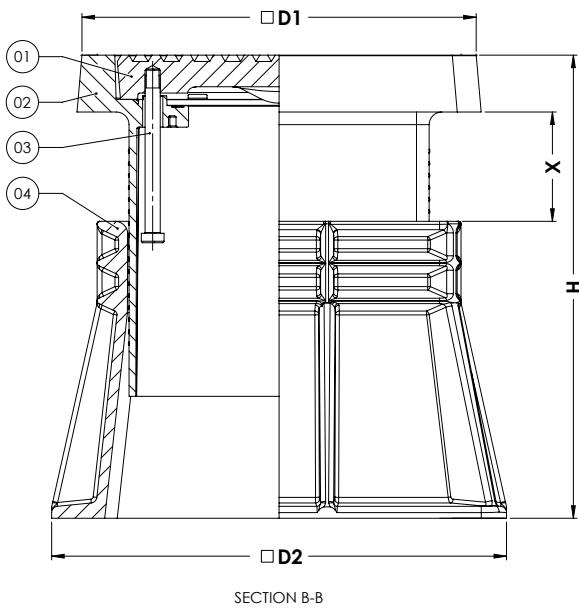
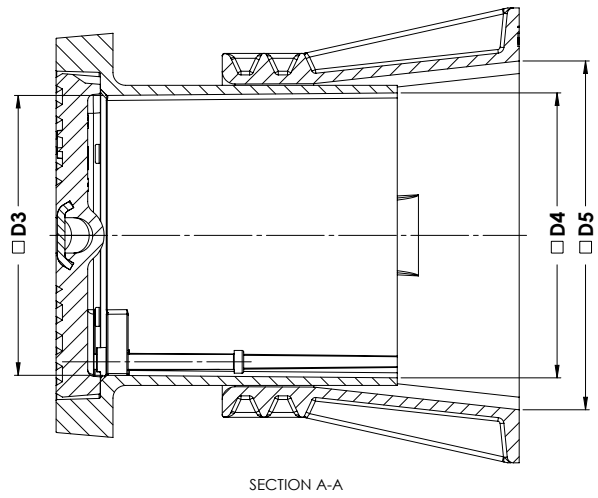
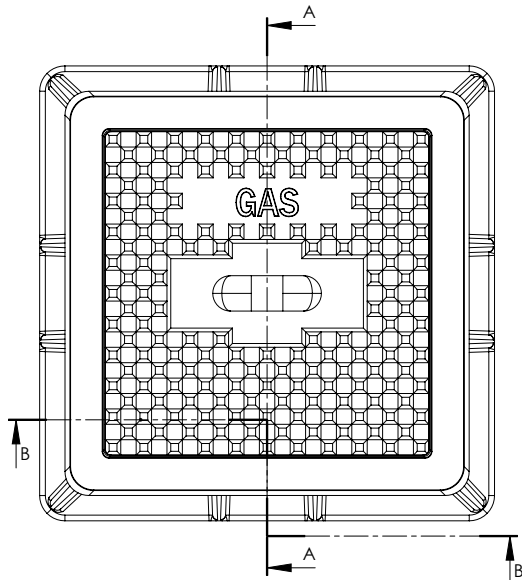
Accessories

- Support tile II
- Torque Adaptor II-B



33.2 kg
CO2 eq.

Expect... **AVR**



Component list

1. Lid	EN-GJL-200
2. Housing top part	PA+
3. Bolt M12x130 hexagon socket head	A2-70
4. Housing bottom part	PA+

Reference nos. and nominal dimensions

AVK ref. nos.	D1 mm	D3 mm	D4 mm	D5 mm	D6 mm	H mm	X mm
80-35-400XXXX	312	360	222	226	276	405-475	80-150
	Weight box in kg	Weight lid in kg	Total weight in kg				
	7.7	10.9	18.6				