



AVK SURFACE BOX H-4056-2 HD-GG

80/39
000

Fixed height
Surface box for distribution valves
Standard lid inscription: W

Types

- H-4056-2 HD-GG
 - Round cast iron lid
 - Round top surface box

Features

- Lightweight, maintenance free and noiseless design
- 100% recyclable and less use of energy resources compared to traditional materials
- Ribs in housing ensure optimal fixation in road foundation
- Selected materials for housing and lid ensure easy opening at all times
- Various colours and lid inscriptions possible
- Available as lockable version making the surface box tamperproof
- Heat resistant to max. 250 °C
- Ideal solution in combination with 3S Antriebe products: www.3s-antriebe.de

Standards

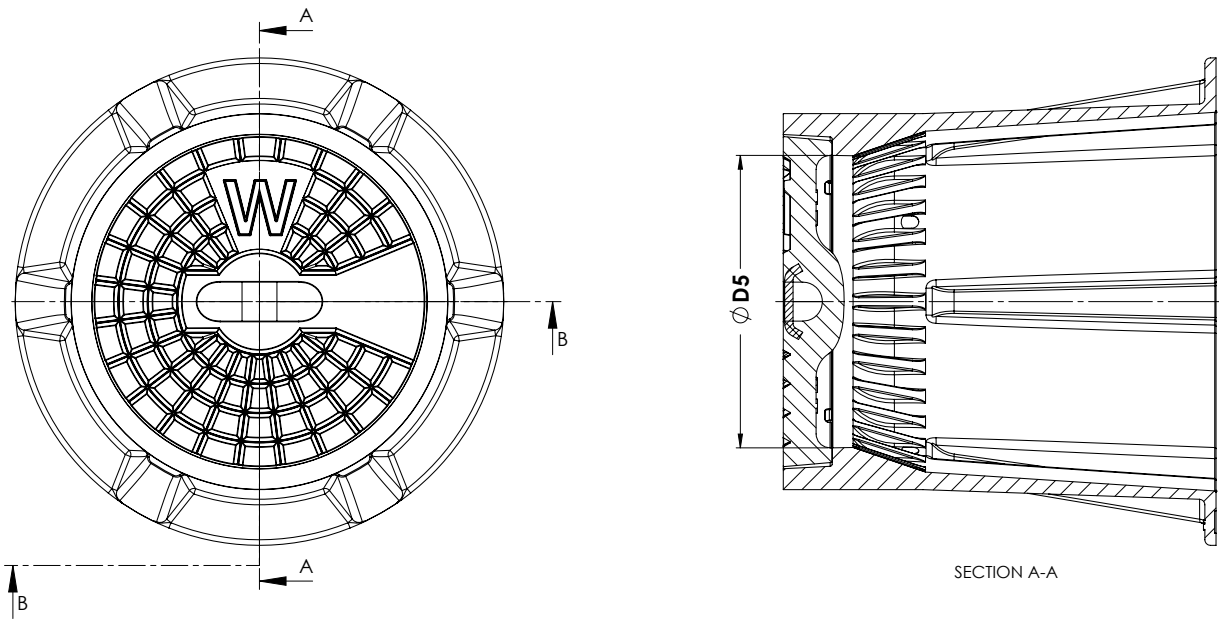
- Design according to DIN4056-2
- DVGW VP310-2, EN124 test method
- DVGW approval, certificate DW-6430CQ0201

Accessories

- Torque Adaptor II-B



Expect... **AVR**



Component list

1. Lid	EN-GJL-200
2. Housing	PA+
3. Bolt M12x130 hexagon head	A2-70

Reference nos. and nominal dimensions

AVK ref. nos.	D1 mm	D2 mm	D3 mm	D4 mm	D5 mm	H mm	Weight box in kg	Weight lid in kg	Total weight in kg
80-39-000XXXX	270	177	272	350	210	310	4.0	8.1	12.1