



## AVK SURFACE BOX H-4056-2V HD-GG

80/39  
100

Height adjustable  
Surface box for distribution valves  
Standard lid inscription: W

### Types

- H-4056-2V HD-GG
  - Round cast iron lid
  - Round top surface box

### Features

- Lightweight, maintenance free and noiseless design
- 100% recyclable and less use of energy resources compared to traditional materials
- Ribs in housing ensure optimal fixation in road foundation
- Selected materials for housing and lid ensure easy opening at all times
- Various colours and lid inscriptions possible
- Available as lockable version making the surface box tamperproof
- Heat resistant to max. 250 °C
- Large height range and flexible positioning of top part
- Inscription in lid to be positioned easily
- No costly corrections after installation
- Ideal solution in combination with 3S Antriebe products: [www.3s-antriebe.de](http://www.3s-antriebe.de)

### Standards

- Design according to DIN4056V-2
- DVGW VP310-2, EN124 test method
- DVGW approval, certificate DW-6430CQ0202

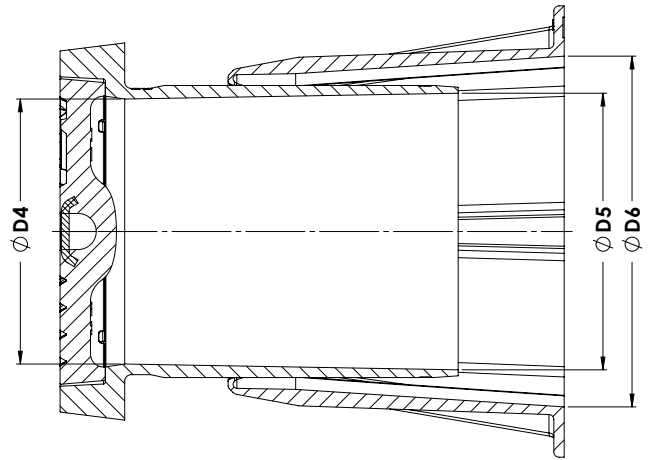
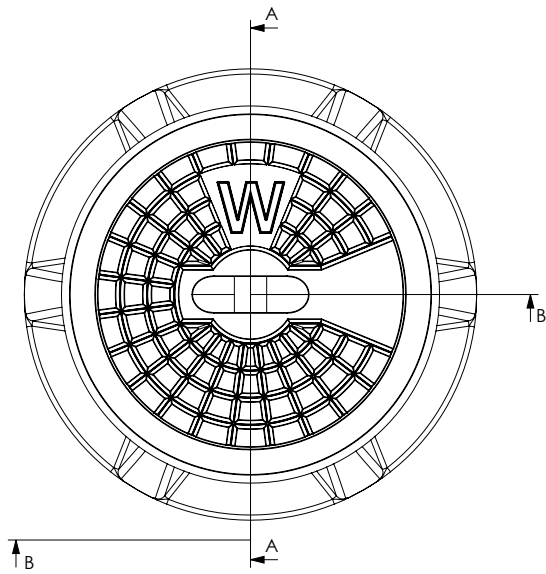
### Accessories

- Torque Adaptor II-B

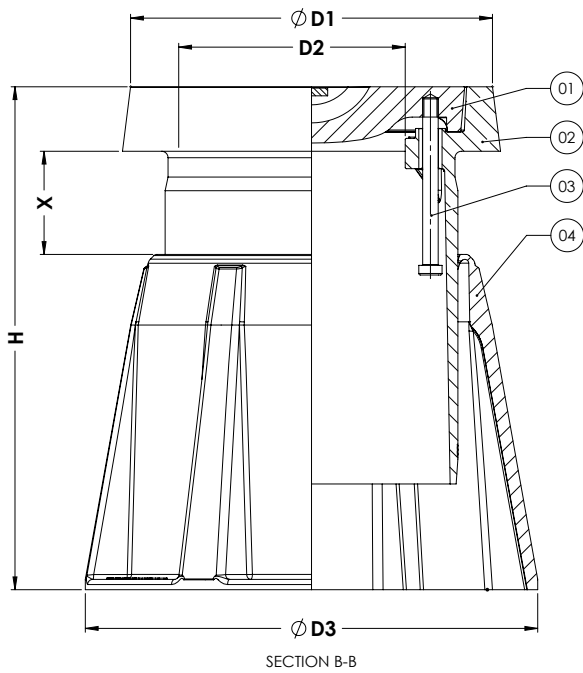


22.7 kg  
CO2 eq.

Expect... **AVR**



SECTION A-A



SECTION B-B

**Component list**

1. Lid	EN-GJL-200
2. Housing top part	PA+
3. Bolt M12x130 hexagon socket head	A2-70
4. Housing bottom part	PA+

**Reference nos. and nominal dimensions**

AVK ref. nos.	D1 mm	D2 mm	D3 mm	D4 mm	D5 mm	D6 mm	H mm	X mm
80-39-100XXXX	280	175	350	205	214	272	390-520	80-210
	Weight box in kg	Weight lid in kg	Total weight in kg					
	4.4	8.0	12.4					