



AVK SURFACE BOX PURBRA HD-GG

80/41
000



Fixed height
Surface box for underground hydrants
Standard inscription plate: HYDRANT



Types

- Purbra HD-GG
 - Rectangular cast iron lid
 - Rectangular top surface box



Features

- Lightweight, maintenance free and noiseless design
- 100% recyclable and less use of energy resources compared to traditional materials
- Ribs in housing ensure optimal fixation in road foundation
- Selected materials for housing and lid ensure easy opening at all times
- Various colours and lid inscriptions possible
- Available as lockable version making the surface box tamperproof
- Heat resistant to max. 160 °C

Standards

- EN124 test method

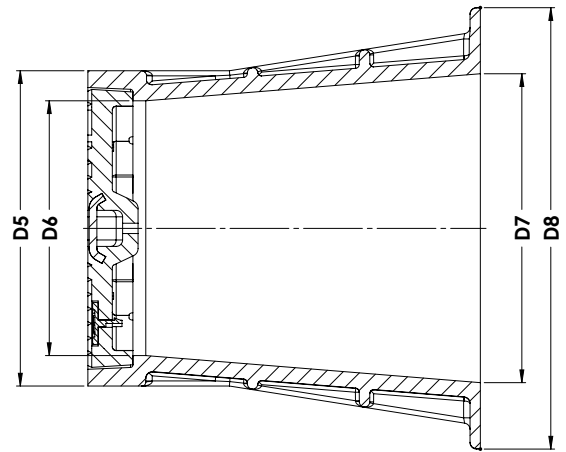
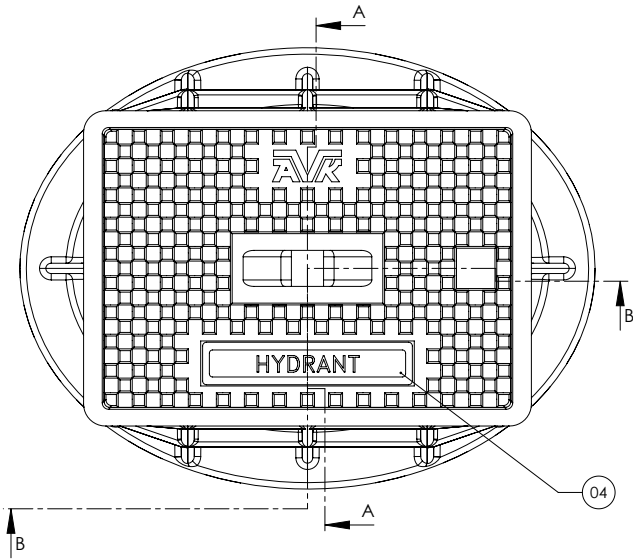
Accessories

- Support tile III
- Top frame for hydrant

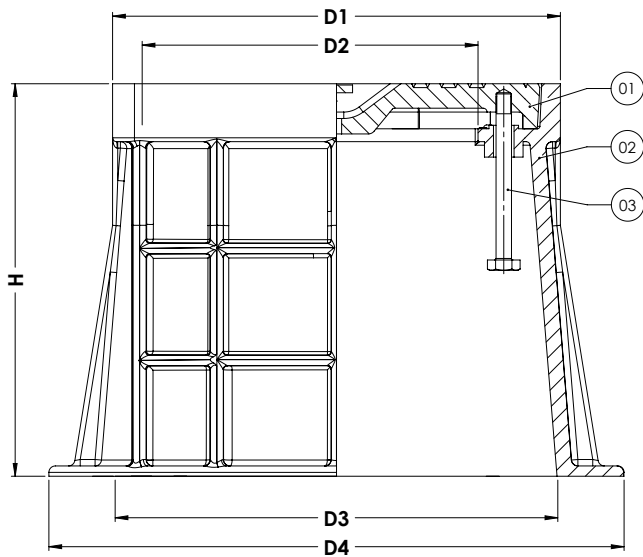


24.9 kg
CO2 eq.

Expect... **AVR**



SECTION A-A



SECTION B-B

Component list

1. Lid	EN-GJL-200
2. Housing	HDPE
3. Bolt M12x130mm hexagon head	A2-70
4. Inscription plate	PA

Reference nos. and nominal dimensions

AVK ref. nos.	D1 mm	D2 mm	D3 mm	D4 mm	D5 mm	D6 mm	D7 mm	D8 mm	H mm
80-41-000XXXX	348	261	344	447	245	198	240	343	305
	Weight box in kg	Weight lid in kg	Total weight in kg						
	4.6	9.5	14.1						