



AVK SURFACE BOX PURDIE HD-GG

80/42
000



Fixed height
Surface box for service connection valves
Standard inscription plate: WATER



Types

- Purdie HD-GG
 - Square cast iron lid
 - Square top surface box



Features

- Lightweight, maintenance free and noiseless design
- 100% recyclable and less use of energy resources compared to traditional materials
- Ribs in housing ensure optimal fixation in road foundation
- Selected materials for housing and lid ensure easy opening at all times
- Various colours and lid inscriptions possible
- Available as lockable version making the surface box tamperproof
- Heat resistant to max. 160 °C

Standards

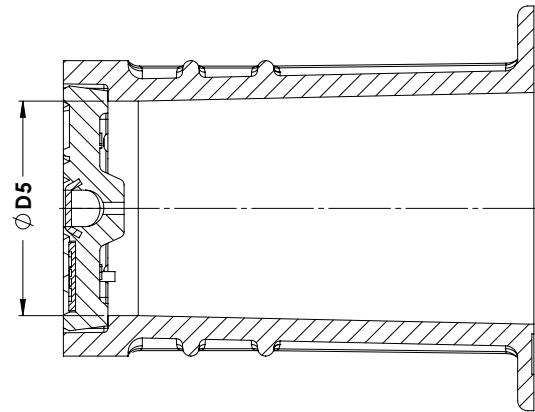
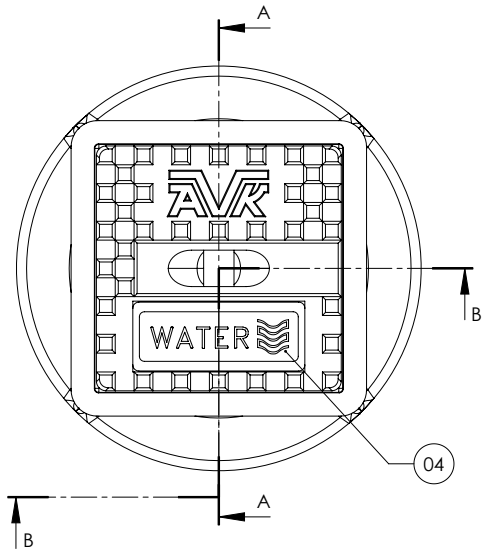
- EN124 test method

Accessories

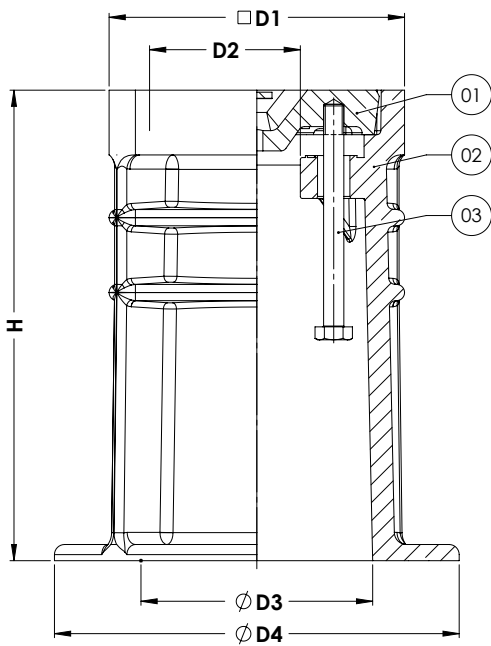
- Support tile I
- Top frame for service connection valve
- Transition piece I



Expect... **AVR**



SECTION A-A



SECTION B-B

Component list

1. Lid	EN-GJL-200
2. Housing	HDPE
3. Bolt M10x110mm hexagon head	A2-70
4. Inscription plate	PA

Reference nos. and nominal dimensions

AVK ref. nos.	D1 mm	D2 mm	D3 mm	D4 mm	D5 mm	H mm	Weight box in kg	Weight lid in kg	Total weight in kg
80-42-000XXXX	146	75	114	200	106	233	1.3	1.7	3.0