



AVK SURFACE BOX

BAClift

80/25

711

Height adjustable
Surface box for underground valves
Standard lid inscription: EAU

Type

- BAClift
- Round cast iron lid
- Hexagonal top surface box

Features

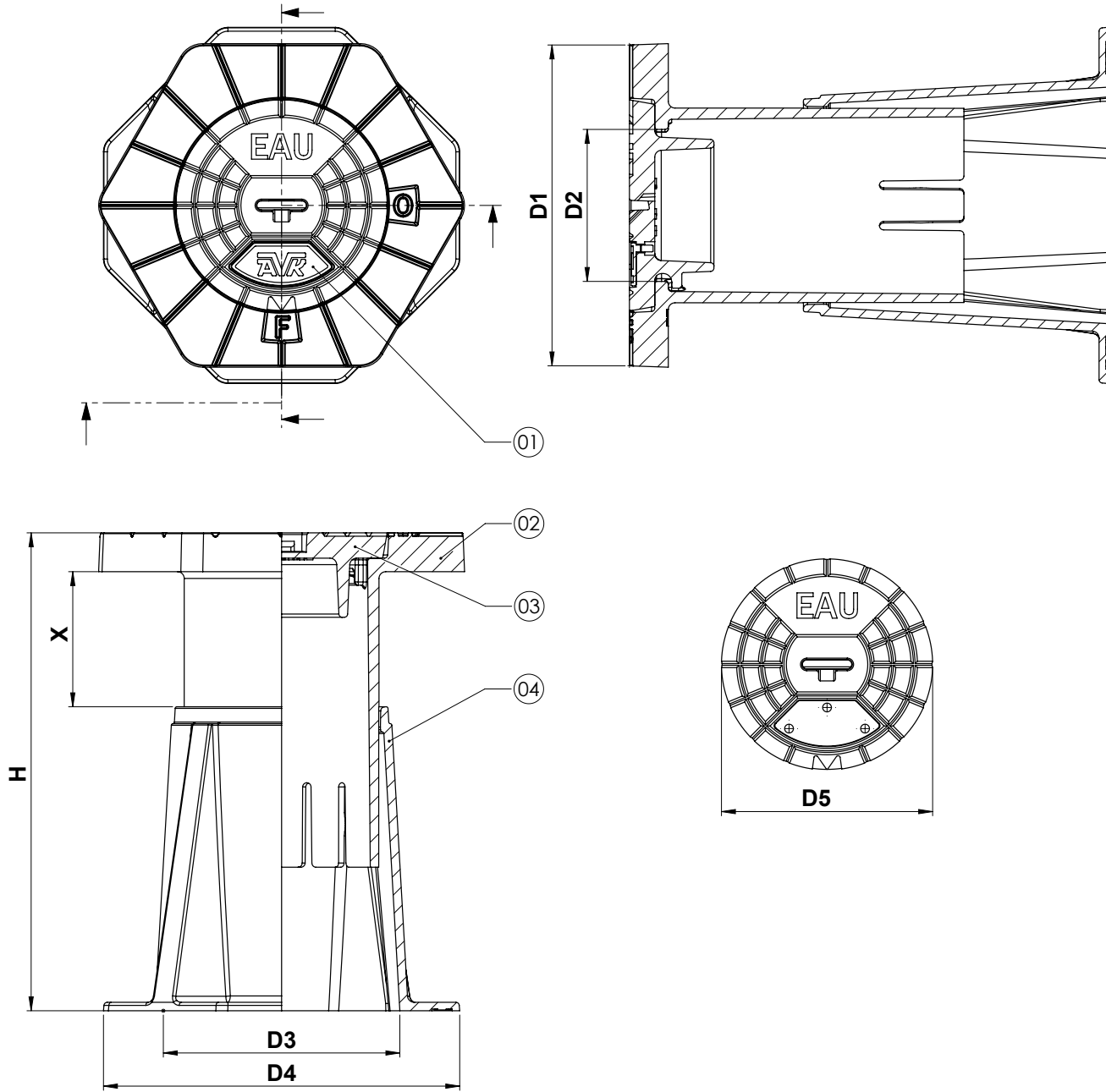
- Lightweight, user-friendly, silent and maintenance free
- Manufactured out of high grade recycled materials
- 100% recyclable and significantly less use of resources compared to traditional materials
- Selected materials for housing and lid ensure easy opening at all times
- Lid does not get stuck due to freezing or rust
- Heat resistant to max. 250 °C
- Large height range and flexible positioning of top part
- Floating top part following road settlement ensuring perfect alignment at all times
- No height adjustment needed after installation, saving time and costs
- Ribs in housing ensure optimal fixation in road foundation
- Wide integrated support flange excluding the need of a support tile
- Extra wide and slim upper rim for superb support in road surfaces
- Multiple chambers on bottom side of rim to accommodate asphalt for a great fixation
- Shaft of top part provided with anti pull-out ribs to prevent the top part being pulled out during handling and installation
- Bayonet connection between lid and housing for quick and easy operation
- Downpipe acceptance for 90 mm and 100 mm pipes due to clever product design
- No risk of the lid being sucked out when traffic passes (such as street cleaner truck) due to weight of lid and bayonet system
- Open (O) / Close (F) indicators of lid position on rim
- Prising slot in lid enables easy opening of the surface box; no blockage by debris due to conical shape
- Identification by inscription plate; multiple colours and custom inscriptions available
- Easy to turn top part during installation in order to align lid inscription

Standards

- Tested according to DVGW VP 310-2



Expect... **AVR**



Component list

1. Inscription plate	PA-GF
2. Housing top part	PA-GF
3. Lid	EN-GJL-200
4. Housing bottom part	PA+

Reference nos. and nominal dimensions

AVK ref. nos.	D1 mm	D2 mm	D3 mm	D4 mm	D5 mm	H mm	X mm
80-25-7110001	190	90	140	200/210	125	205-330	0-150
	Weight box in kg	Weight lid in kg	Total weight in kg				
	1.7	1.5	3.2				

For other variants different item numbers apply
Dimensions are subject to tolerances