



## AVK SURFACE BOX

BACfixe

80/25

011

Fixed height  
Surface box for underground valves  
Standard lid inscription: EAU

### Type

- BACfixe
- Round cast iron lid
- Round top surface box

### Features

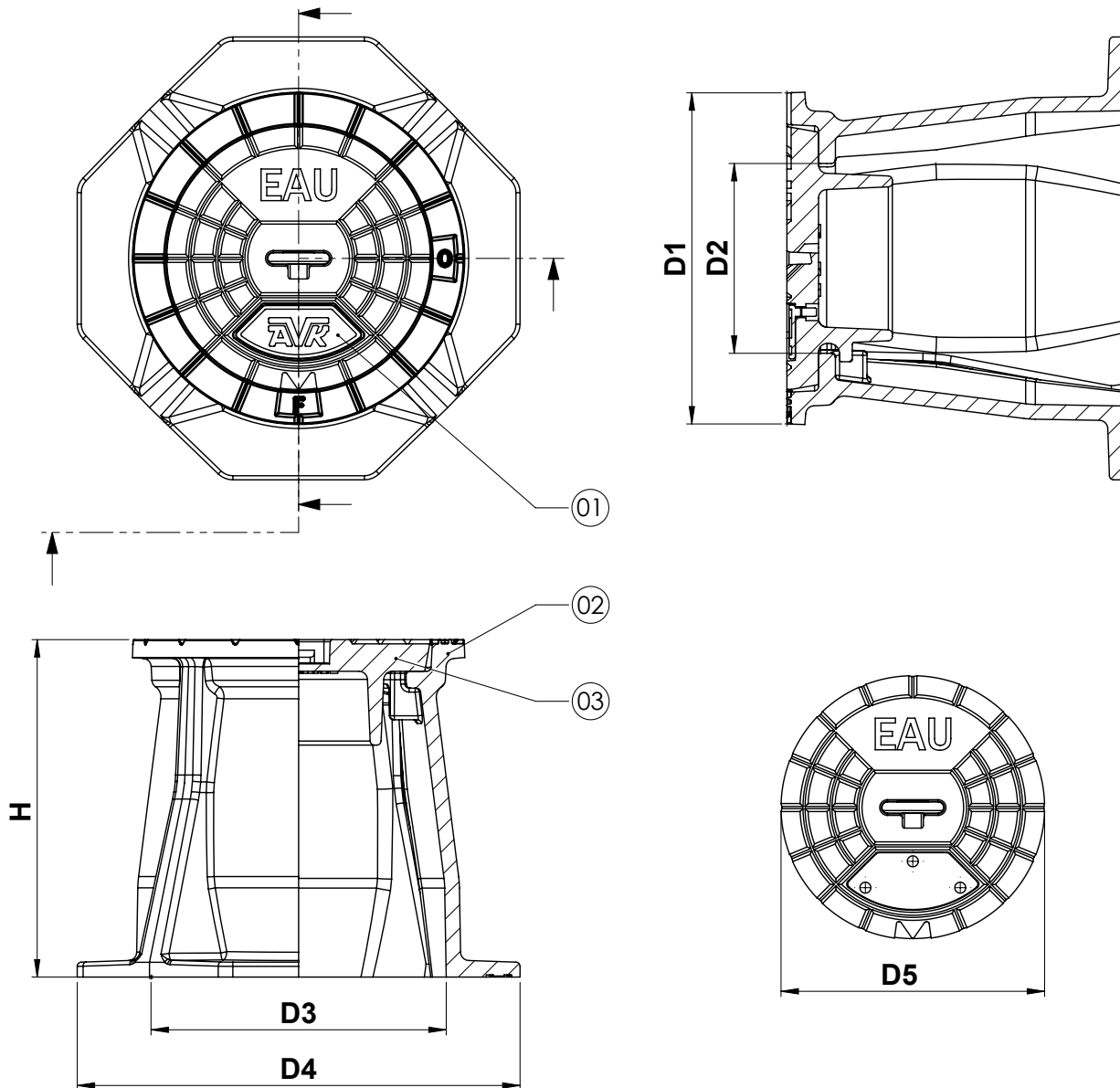
- Lightweight, user-friendly, silent and maintenance free
- Manufactured out of high grade recycled materials
- 100% recyclable and significantly less use of resources compared to traditional materials
- Selected materials for housing and lid ensure easy opening at all times
- Lid does not get stuck due to freezing or rust
- Heat resistant to max. 250 °C
- Ribs in housing ensure optimal fixation in road foundation
- Wide integrated support flange excluding the need of a support tile
- Bayonet connection between lid and housing for quick and easy operation
- Downpipe acceptance for 90 mm and 100 mm pipes due to clever product design
- No risk of the lid being sucked out when traffic passes (such as street cleaner truck) due to weight of lid and bayonet system
- Open (O) / Close (F) indicators of lid position on rim
- Prising slot in lid enables easy opening of the surface box; no blockage by debris due to conical shape
- Identification by inscription plate; multiple colours and custom inscriptions available

### Standards

- Tested according to DVGW VP 310-2



Expect... **AVR**



**Component list**

1. Inscription plate	PA-GF
2. Housing	PA-GF
3. Lid	EN-GJL-200

**Reference nos. and nominal dimensions**

AVK ref. nos.	D1 mm	D2 mm	D3 mm	D4 mm	D5 mm	H mm
80-25-0110001	157	90	140	200/210	125	160
	Weight box in kg	Weight lid in kg	Total weight in kg			
	1.0	1.5	2.5			

For other variants different item numbers apply  
Dimensions are subject to tolerances