



## AVK SURFACE BOX H-4057V HD-GG

80/32  
100

Height adjustable  
Surface box for service connection valves  
Standard lid inscription: W

### Type

- H-4057V HD-GG
  - Round cast iron lid
  - Round top surface box

### Features

- Lightweight, user-friendly, silent and maintenance free
- 100% recyclable and significantly less use of resources compared to traditional materials
- Manufactured out of high grade recycled materials
- Ribs in housing ensure optimal fixation in road foundation
- Selected materials for housing and lid ensure easy opening at all times
- Heat resistant to max. 250 °C
- Suitable for low-temperature applications
- Large height range and flexible positioning of top part
- Inscription in lid to be positioned easily
- No height adjustment needed after installation, saving time and costs
- Floating top part following road settlement ensuring perfect alignment at all times
- O-ring only to be used for determining final position of top part
- D400 load bearing capacity

### Optional

- Available as lockable version making the surface box tamperproof
- Various colours and lid inscriptions possible
- Spring around bolt ensuring lid will stay in its place

### Standards

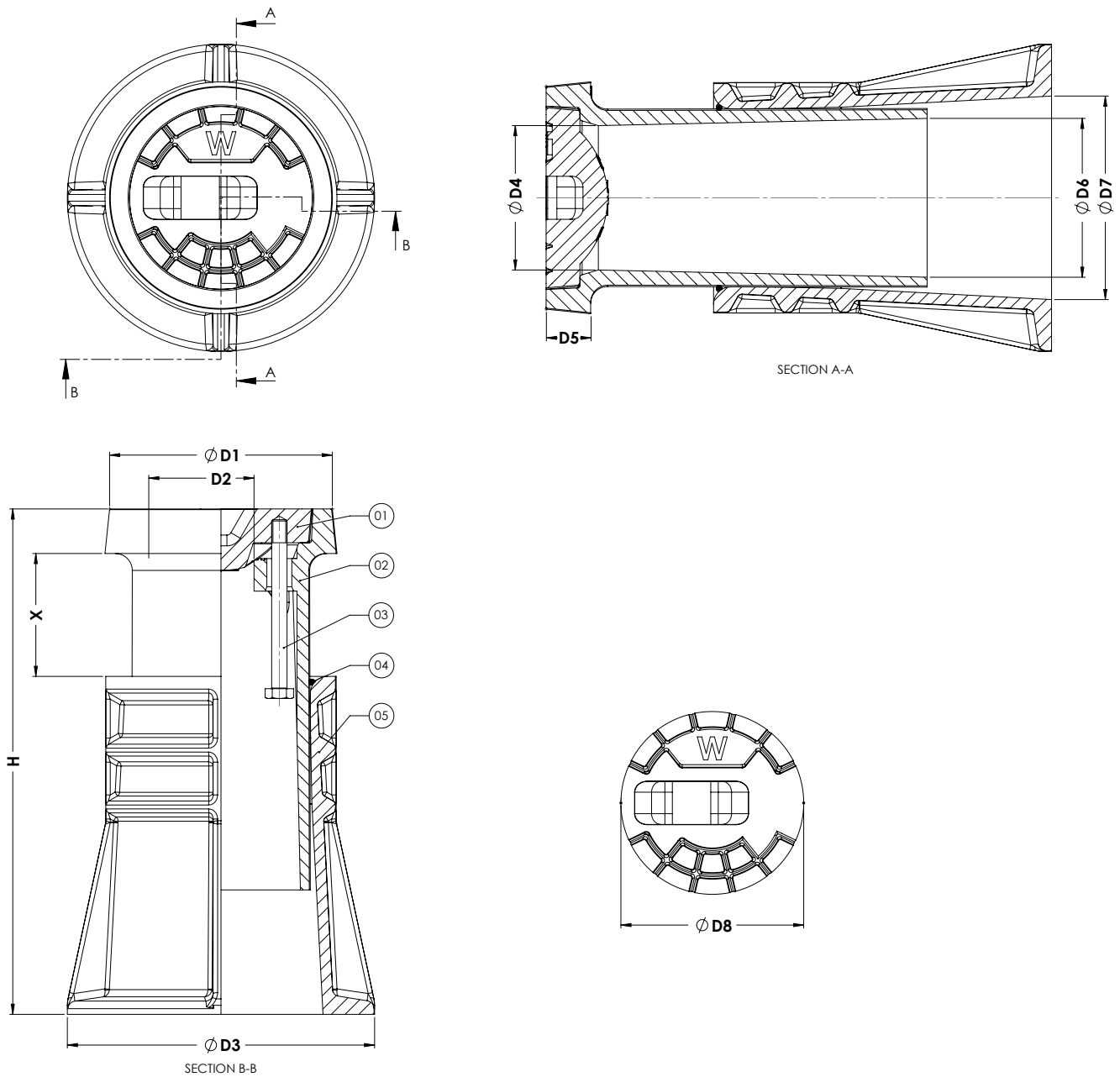
- Design according to DIN 4057
- DVGW VP 310-2
- DVGW approval, certificate DW-6430BP0143

### Accessories

- Support tile I



Expect... **AVR**



**Component list**

|                              |            |
|------------------------------|------------|
| 1. Lid                       | EN-GJL-250 |
| 2. Housing top part          | PA+        |
| 3. Bolt M10x110 hexagon head | A2-70      |
| 4. O-ring                    | EPDM       |
| 5. Housing bottom part       | PA+        |

**Reference nos. and nominal dimensions**

| AVK ref. nos. | D1<br>mm            | D2<br>mm            | D3<br>mm              | D4<br>mm | D5<br>mm | D6<br>mm | D7<br>mm | D8<br>mm | H<br>mm | X<br>mm |
|---------------|---------------------|---------------------|-----------------------|----------|----------|----------|----------|----------|---------|---------|
| 80-32-1000000 | 145                 | 68                  | 200                   | 94       | 29       | 103      | 132      | 120      | 330-430 | 80-180  |
|               | Weight box<br>in kg | Weight lid<br>in kg | Total weight<br>in kg |          |          |          |          |          |         |         |
|               | 2.0                 | 1.8                 | 3.8                   |          |          |          |          |          |         |         |

For other variants different item numbers apply  
Dimensions are subject to tolerances