



AVK FLEXDRAIN
FULL SIZE (FS) CO Ø145

80/60
001



AVK Flexdrains for underground hydrants DN80 and DN100.
Ensures optimal flow of drain water.



Types

- Full Size flexdrain
CO Ø145 mm
One strong hinged piece

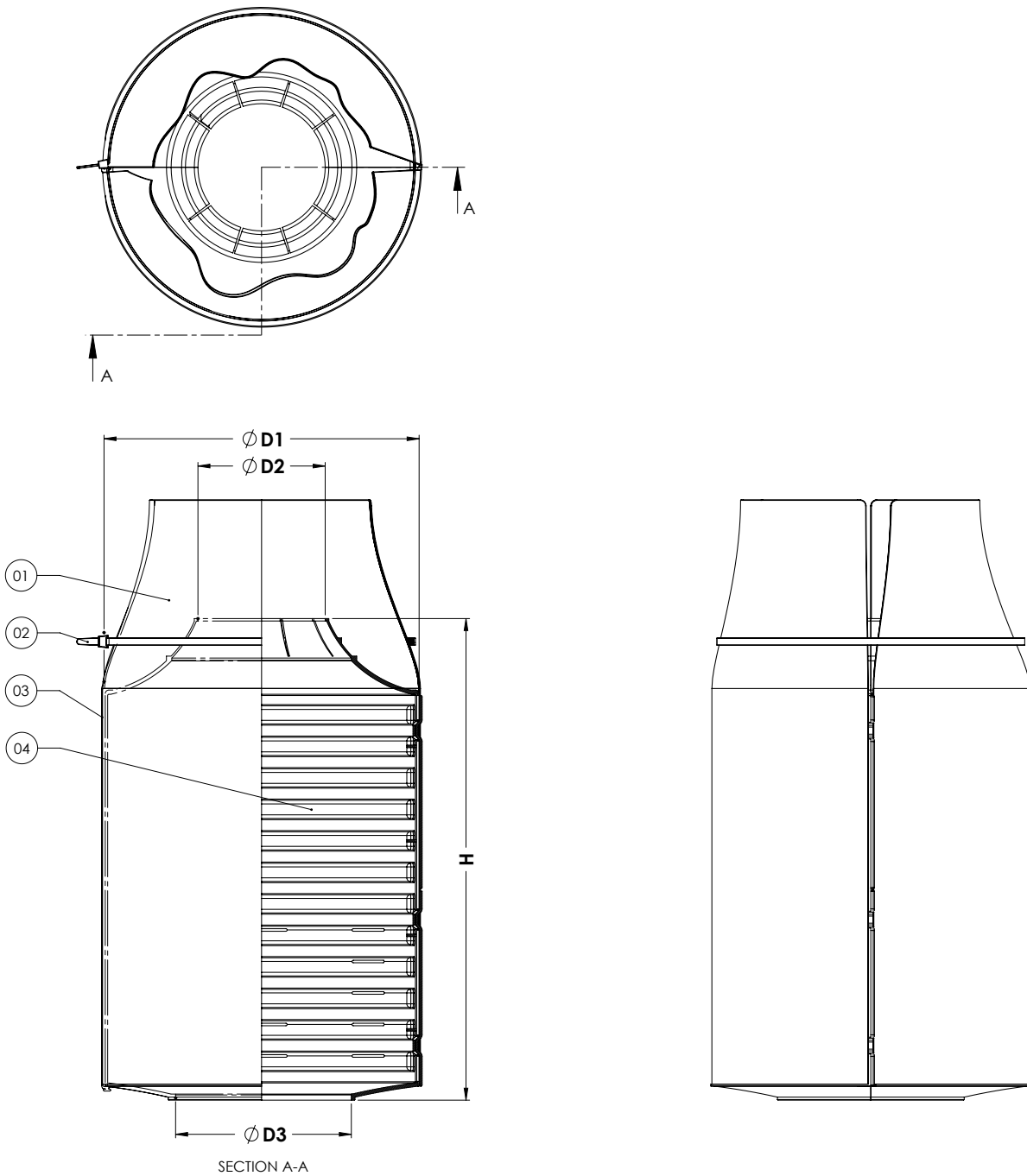


Features

- Easy installation with snap closure, no tools required and low weight
- Prevent ingress of dirt and vegetation growth in the drainage area
- Durable; One strong hinged piece, strong hinge and solid edges
- Environmentally friendly materials; 100% recyclable
- Drainage fleece conforming EN13252
- Universal application



Expect... **AVR**



Component list

1. Drainage fleece	Polyester spunbound geotextile
2. Tie-wrap	Nylon 6/10
3. Rubberband	
4. Body	PP

Reference nos. and nominal dimensions

AVK ref. nos.	D1 mm	D2 mm	D3 mm	H mm	Total weight in kg
80-60-00001	260	105	145	395	0.8